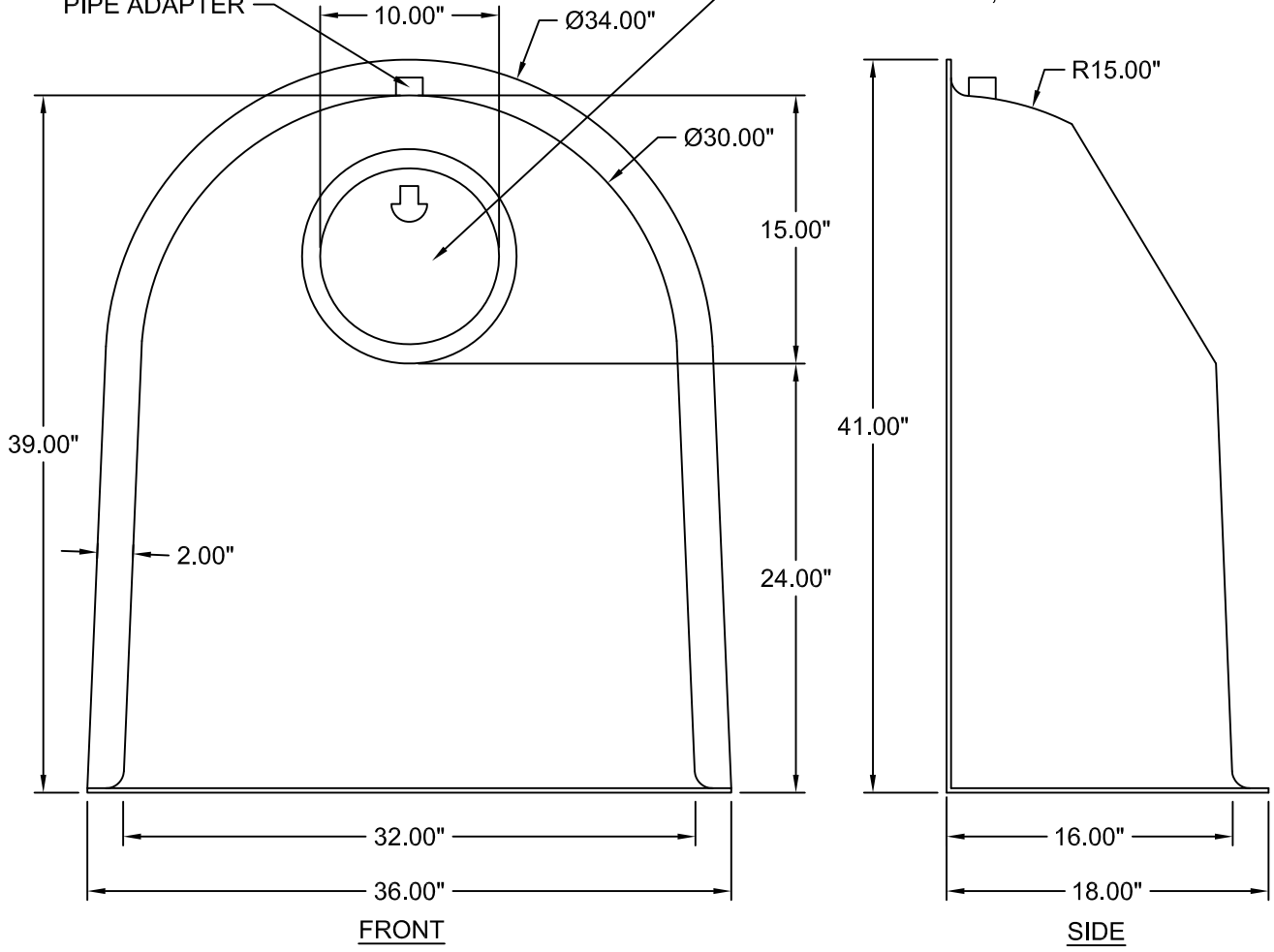


1" PVC ANTI-SIPHON PIPE ADAPTER  
 REMOVABLE WATERTIGHT ACCESS PORT, 10" OPENING



\*AS MANUFACTURED BY BMP, INC., LYME, CT.



**Continental  
 Concrete  
 Products, Inc.**  
 1 South Grosstown Rd.  
 Pottstown, PA 19464  
 Phone: (610) 327-3700  
 Fax: (610) 327-9488

30F SNOUT OIL & DEBRIS STOP  
 (USED FOR 21" & 24" PIPE)

SIGNATURE OF APPROVAL

DATE

AR

DWG

STRUCTURE

2/08/16

30F