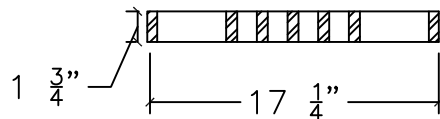
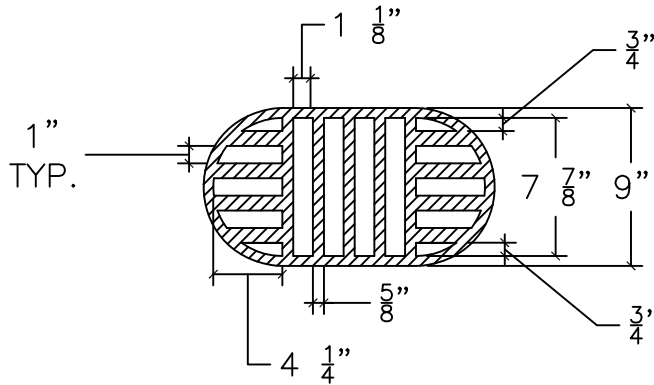


# FRAME



# GRATE

### SPECIFICATIONS:

CAST IRON MEETS ASTM SPEC. A-48-76  
 CLASS 35 AASHTO LOADING HS-25



**Continental  
 Concrete  
 Products, Inc.**  
 1 South Grosstown Rd.  
 Pottstown, PA 19464  
 Phone: (610) 327-3700  
 Fax: (610) 327-9488

## CAST IRON SMALL PARK FRAME & GRATE

SIGNATURE OF APPROVAL

DATE

AR

DWG

STRUCTURE

2/08/16

SM PK F&G