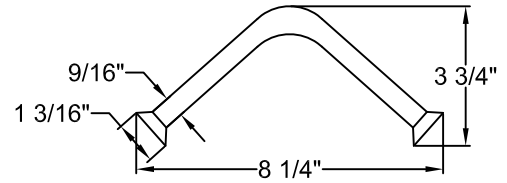
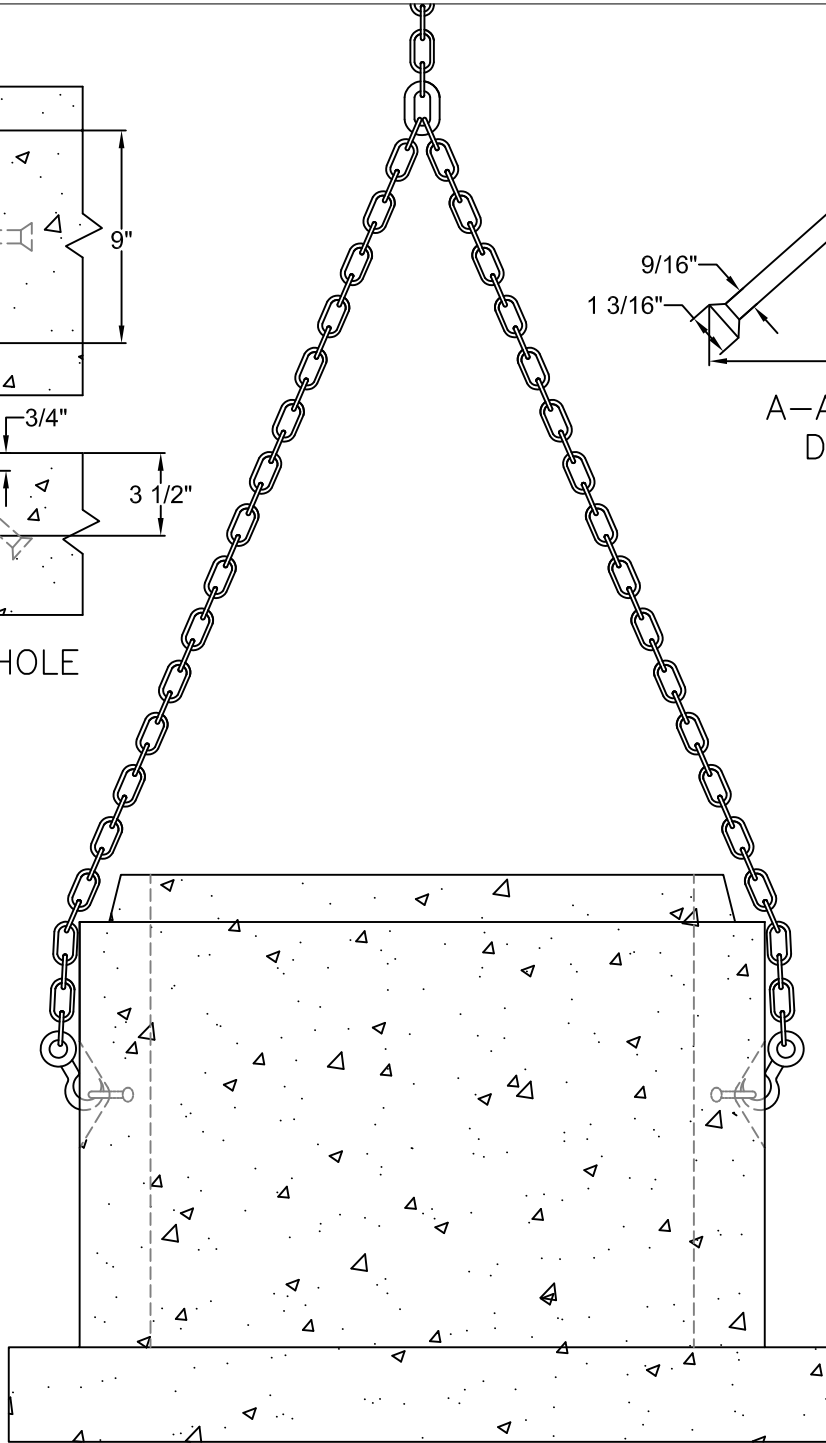


RECESSED HOLE  
DETAIL



A-ANCHOR  
DETAIL



\*Recommended Lifting Equipment: Heavy-duty three-way chains with self-locking hooks.

\*\*A-Anchor System used for Manhole Sections.



**Continental  
Concrete  
Products, Inc.**  
1 South Grosstown Rd.  
Pottstown, PA 19464  
Phone: (610) 327-3700  
Fax: (610) 327-9488

## A-ANCHOR LIFTING SYSTEM

SIGNATURE OF APPROVAL

DATE

IAR

DWG

STRUCTURE

2/08/16

A-ANCHOR