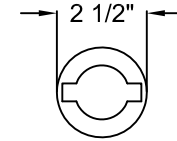
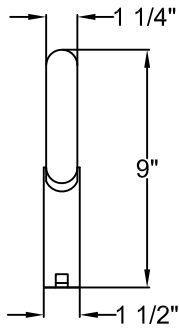
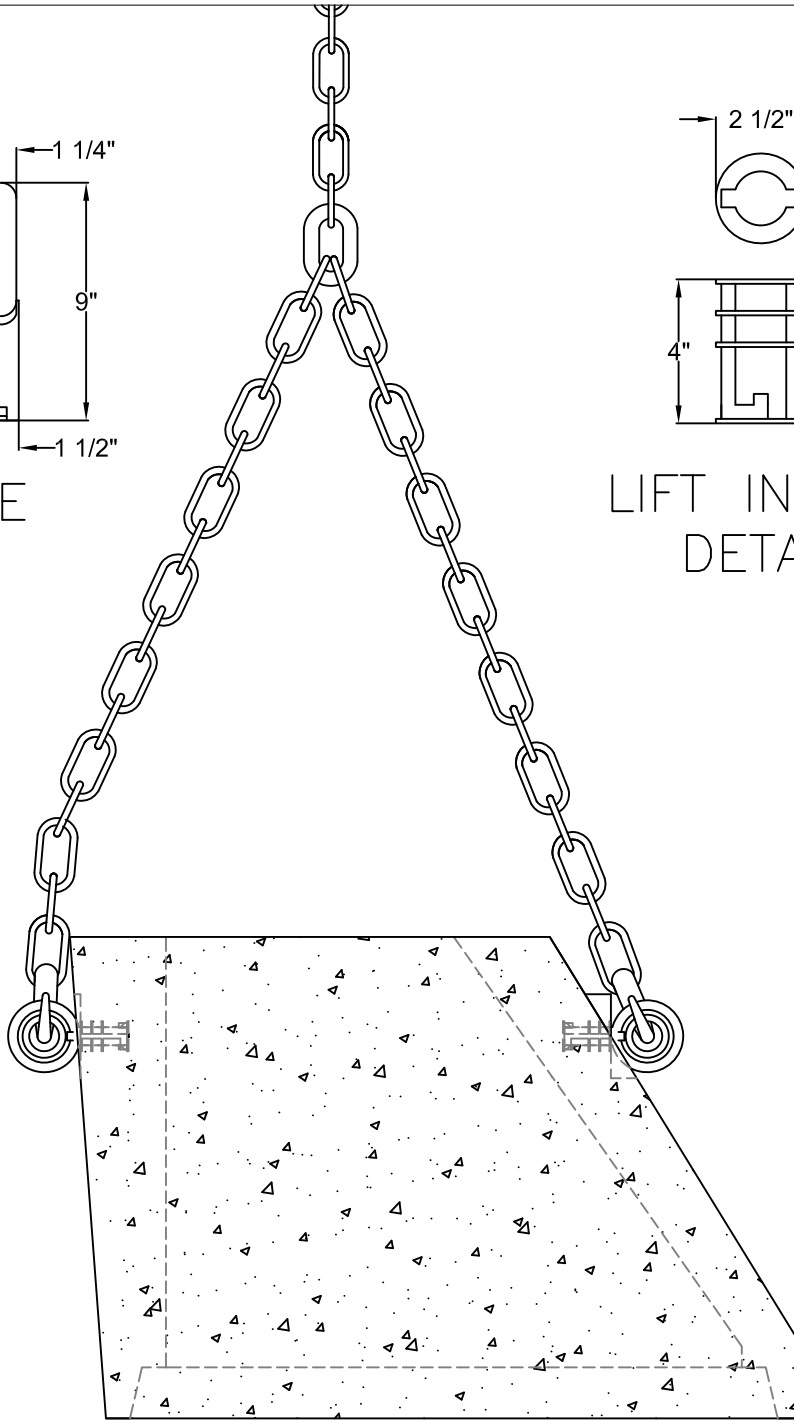
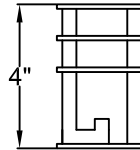


LIFT EYE
DETAIL



LIFT INSERT
DETAIL



*Recommended Lifting Equipment: Heavy-duty three-way chains with self-locking hooks.
 **Each Lift Eye is rated to lift 4500 LBS.
 ***Manhole Lifting System primarily used for Manhole Sections.



**Continental
Concrete
Products, Inc.**
 1 South Grosstown Rd.
 Pottstown, PA 19464
 Phone: (610) 327-3700
 Fax: (610) 327-9488

MANHOLE LIFTING SYSTEM

SIGNATURE OF APPROVAL

DATE

AR

DWG

STRUCTURE

2/08/16

MH LIFTING