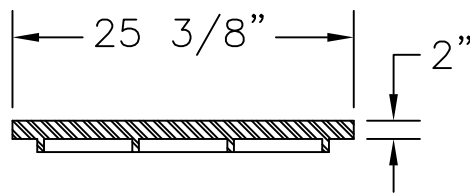


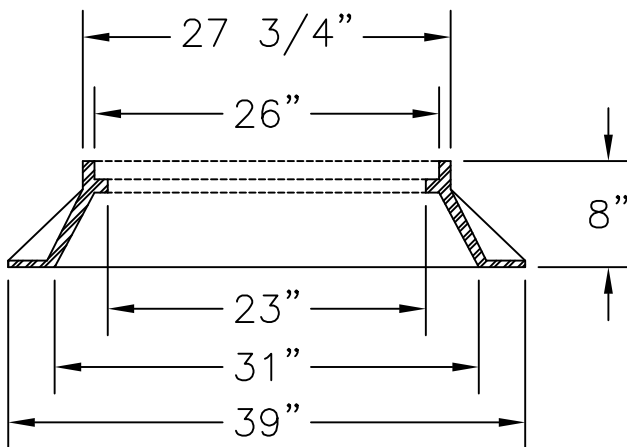
DETAIL FOR GASKET  
IN DOVE TAIL GROOVE  
(SANITARY COVER ONLY)



SECTION VIEW OF COVER



ALTERNATE STORM  
COVER



SECTION VIEW OF FRAME

**SPECIFICATIONS:**

ALL MATERIAL IS ASTM A48 CLASS 35B GRAY IRON.  
SUITABLE FOR H25 LOAD DESIGN.

\*1202B AS MANUFACTURED BY CAMPBELL FOUNDRY COMPANY



**Continental  
Concrete  
Products, Inc.**  
1 South Grosstown Rd.  
Pottstown, PA 19464  
Phone: (610) 327-3700  
Fax: (610) 327-9488

**NEW JERSEY 24" MANHOLE FRAME & COVER**

SIGNATURE OF APPROVAL

DATE | AR | DWG

STRUCTURE

2/08/16

NJFMHFC