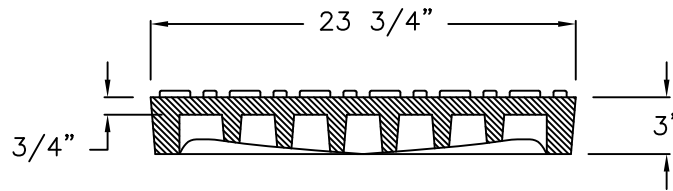
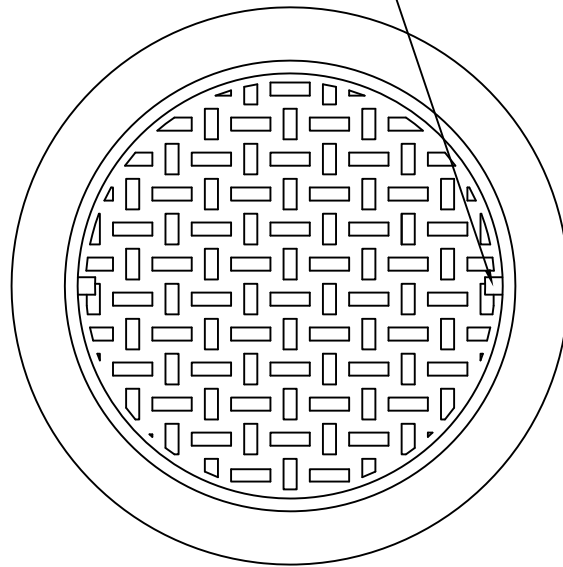
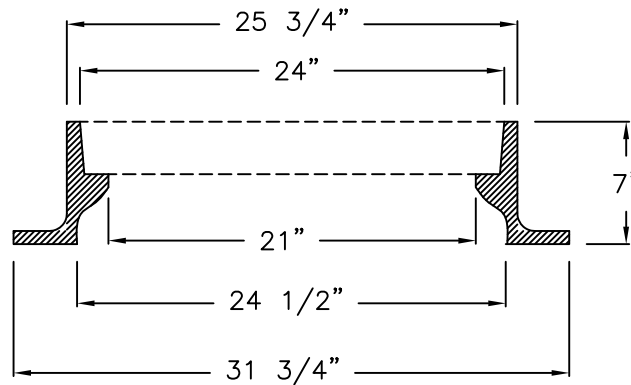


(2) CONCEALED PICK HOLES



SECTION VIEW OF COVER



SECTION VIEW OF FRAME

SPECIFICATIONS:

ALL MATERIAL IS ASTM A48 CLASS 35B GRAY IRON.
SUITABLE FOR H25 LOAD DESIGN.

*R-1788-A AS MANUFACTURED BY NEENAH FOUNDRY, NEENAH, WI



**Continental
Concrete
Products, Inc.**
1 South Grosstown Rd.
Pottstown, PA 19464
Phone: (610) 327-3700
Fax: (610) 327-9488

PWD SOLID MANHOLE FRAME & COVER

SIGNATURE OF APPROVAL	DATE 2/08/16	AR DWG PWDSFC	STRUCTURE
-----------------------	-----------------	---------------------	-----------