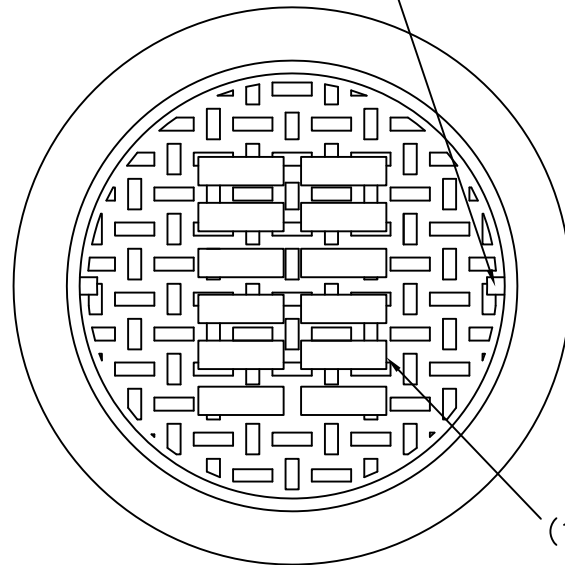
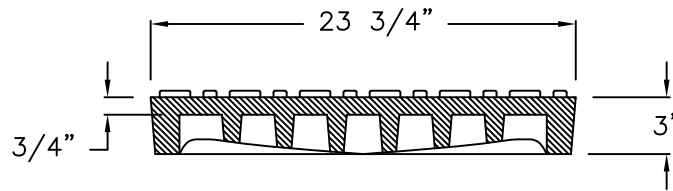


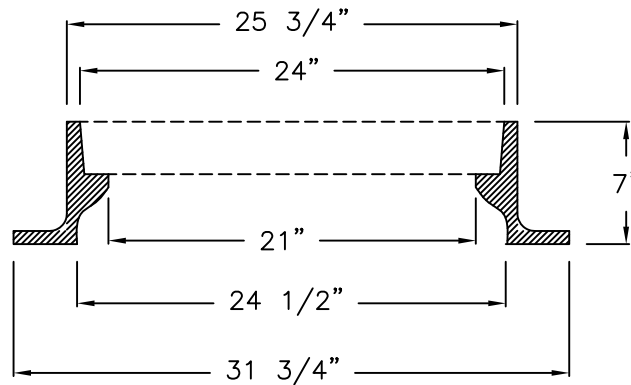
(2) CONCEALED PICK HOLES



(12) 1 5/8" X 4 7/8" SLOTS



SECTION VIEW OF COVER



SECTION VIEW OF FRAME

**SPECIFICATIONS:**

ALL MATERIAL IS ASTM A48 CLASS 35B GRAY IRON.  
SUITABLE FOR H25 LOAD DESIGN.

\*R-1788-B AS MANUFACTURED BY NEENAH FOUNDRY, NEENAH, WI

**Continental  
Concrete  
Products, Inc.**  
1 South Grosstown Rd.  
Pottstown, PA 19464  
Phone: (610) 327-3700  
Fax: (610) 327-9488

**PWD VENTED MANHOLE FRAME & COVER**

SIGNATURE OF APPROVAL	DATE	AR	DWG	STRUCTURE
	2/08/16		PWDVFC	