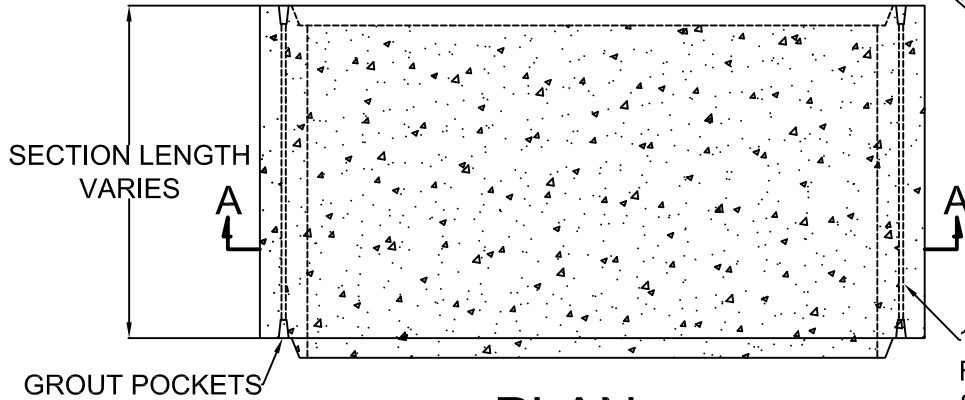


Closed-Cell Neoprene Gasket



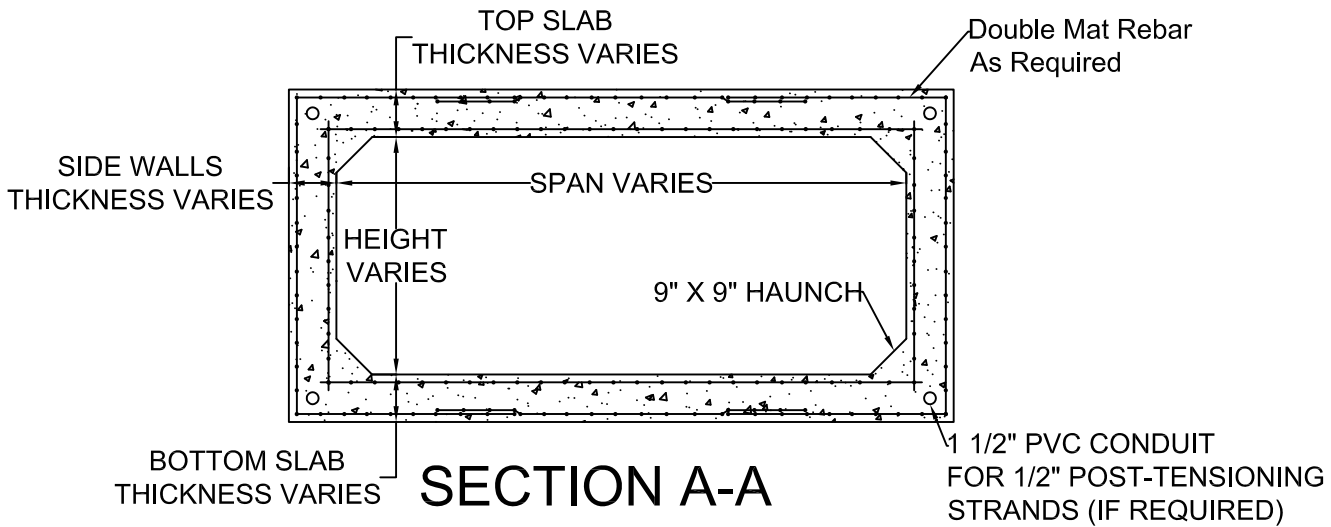
SECTION LENGTH VARIES

A

GROUT POCKETS

1 1/2" PVC CONDUIT FOR 1/2" POST-TENSIONING STRANDS (IF REQUIRED)

PLAN



TOP SLAB THICKNESS VARIES

Double Mat Rebar As Required

SIDE WALLS THICKNESS VARIES

SPAN VARIES

HEIGHT VARIES

9" X 9" HAUNCH

BOTTOM SLAB THICKNESS VARIES

1 1/2" PVC CONDUIT FOR 1/2" POST-TENSIONING STRANDS (IF REQUIRED)

SECTION A-A

SPECIFICATIONS:

MINIMUM CONCRETE STRENGTH 4000 PSI @ 28 DAYS (PENNDOT CLASS AA)
 MATERIALS AND WORKMANSHIP IN ACCORDANCE WITH THE REQUIREMENTS
 OF PENNDOT PUBLICATION 408 SECTION 605 & 714
 STEEL REINFORCEMENT A615 GRADE 60 HORIZONTAL AND VERTICAL



**Continental
Concrete
Products, Inc.**

1 South Grosstown Rd.
 Pottstown, PA 19464
 Phone: (610) 327-3700
 Fax: (610) 327-9488

BOX CULVERT

SIGNATURE OF APPROVAL

DATE

AR

DWG

STRUCTURE

2/08/16

BC