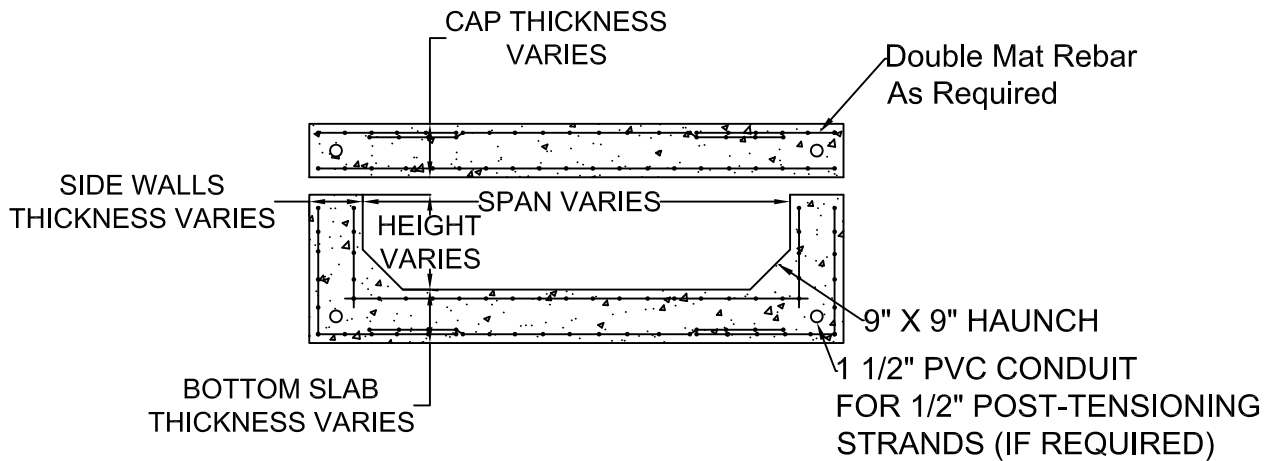


**PLAN**



**SECTION A-A**

**SPECIFICATIONS:**

MINIMUM CONCRETE STRENGTH 4000 PSI @ 28 DAYS (PENNDOT CLASS AA)  
 MATERIALS AND WORKMANSHIP IN ACCORDANCE WITH THE REQUIREMENTS  
 OF PENNDOT PUBLICATION 408 SECTION 605 & 714  
 STEEL REINFORCEMENT A615 GRADE 60 HORIZONTAL AND VERTICAL



**Continental  
 Concrete  
 Products, Inc.**

1 South Grosstown Rd.  
 Pottstown, PA 19464  
 Phone: (610) 327-3700  
 Fax: (610) 327-9488

**TRENCH AND CAP BOX CULVERT**

SIGNATURE OF APPROVAL

DATE

AR

DWG

STRUCTURE

2/08/16

T&CBC