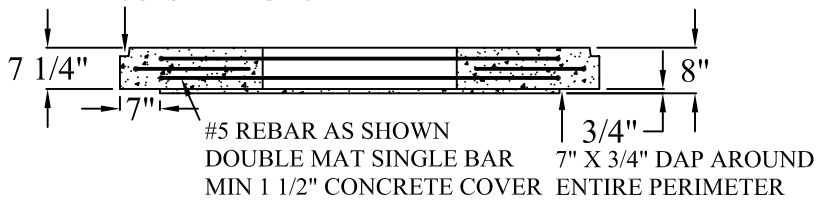
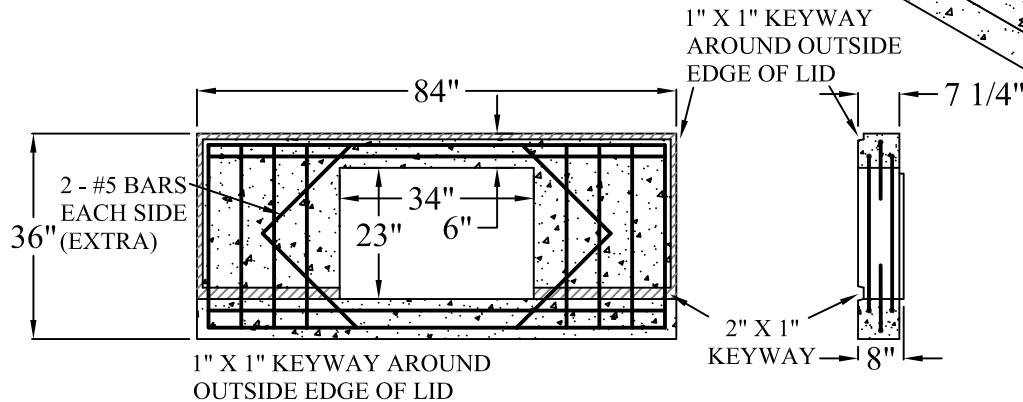
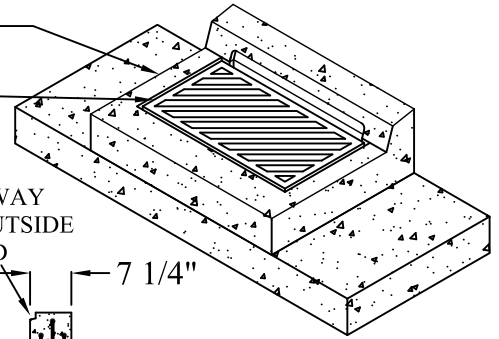
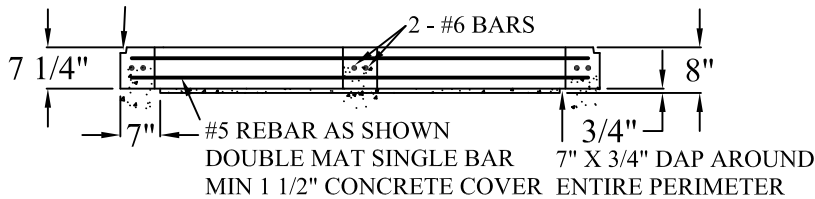
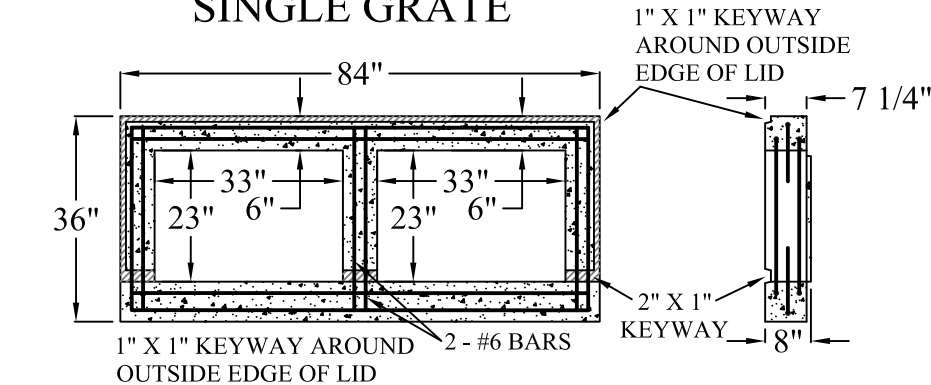


TOP UNIT TO BE FORMED
AND CAST IN FIELD
DELDOT TYPE 1 STANDARD
FRAME & GRATE



SINGLE GRATE



DOUBLE GRATE

SPECIFICATIONS:

MINIMUM CONCRETE STRENGTH 4000 PSI @ 28 DAYS
MATERIALS AND WORKMANSHIP IN ACCORDANCE WITH THE REQUIREMENTS OF DELAWARE DEPARTMENT OF TRANSPORTATION
ALL BARS ARE TO BE #5 SPACED @ 6" UNLESS NOTED OTHERWISE
TOP REINFORCEMENT SHALL BE 0.11 IN² HORIZONTAL REINFORCEMENT PER FOOT IN BOTH DIRECTIONS



**Continental
Concrete
Products, Inc.**
1 South Grosstown Rd.
Pottstown, PA 19464
Phone: (610) 327-3700
Fax: (610) 327-9488

DELDOT 24" X 72" DRAINAGE INLET CONVERSION LID w/ 24" X 34" DRAINAGE INLET OPENING (SINGLE & DOUBLE FRAME & GRATE)

SIGNATURE OF APPROVAL

DATE

AR

DWG

STRUCTURE

2/08/16

DEL24X72-24X34CV