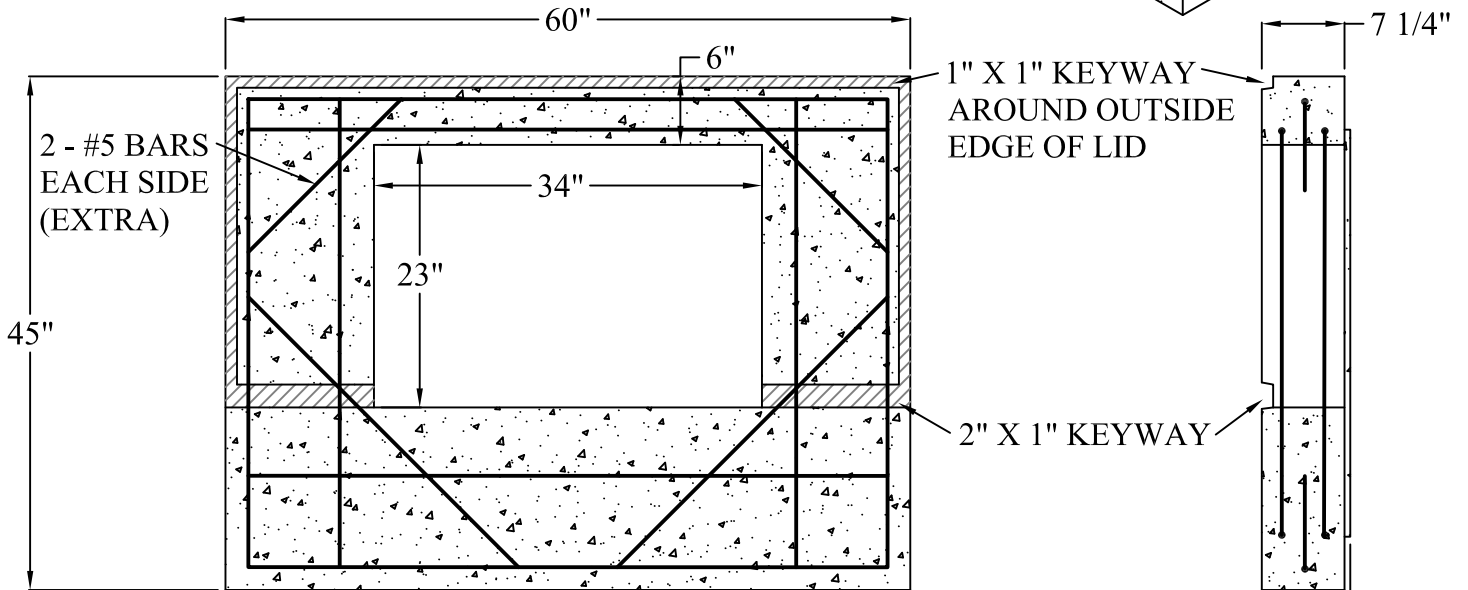
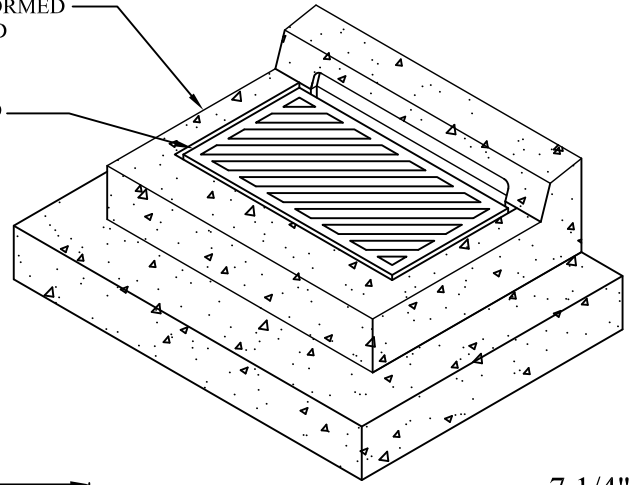


TOP UNIT TO BE FORMED
AND CAST IN FIELD

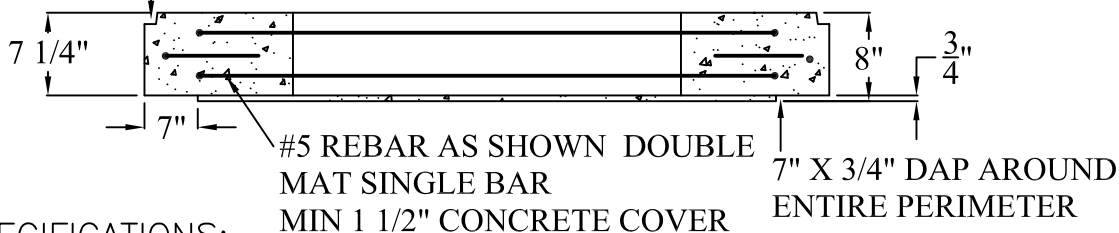
DELDOT TYPE 1 STANDARD
FRAME & GRATE



1" X 1" KEYWAY
AROUND OUTSIDE
EDGE OF LID

2" X 1" KEYWAY

1" X 1" KEYWAY AROUND
OUTSIDE EDGE OF LID



SPECIFICATIONS:

MINIMUM CONCRETE STRENGTH 4000 PSI @ 28 DAYS
 MATERIALS AND WORKMANSHIP IN ACCORDANCE WITH THE REQUIREMENTS
 OF DELAWARE DEPARTMENT OF TRANSPORTATION
 ALL BARS ARE TO BE #5 SPACED @ 6" UNLESS NOTED OTHERWISE
 TOP REINFORCEMENT SHALL BE 0.11 IN² HORIZONTAL REINFORCEMENT
 PER FOOT IN BOTH DIRECTIONS



**Continental
Concrete
Products, Inc.**
 1 South Grosstown Rd.
 Pottstown, PA 19464
 Phone: (610) 327-3700
 Fax: (610) 327-9488

**DELDOT 33" X 48" DRAINAGE INLET
 CONVERSION LID w/ 24" X 34"
 DRAINAGE INLET OPENING**

SIGNATURE OF APPROVAL

DATE

AR

DWG

STRUCTURE

2/08/16

DEL33X48-24X34CV