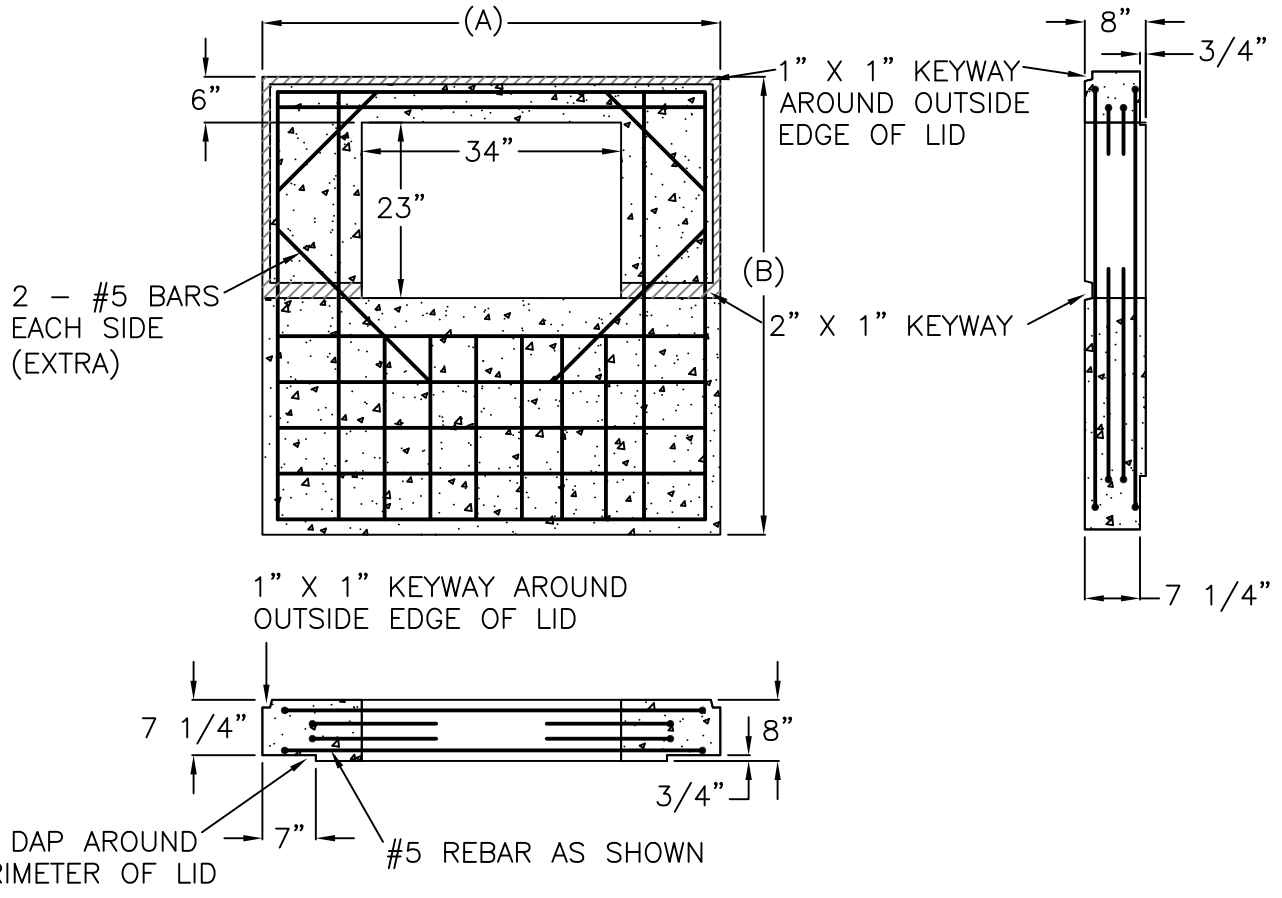
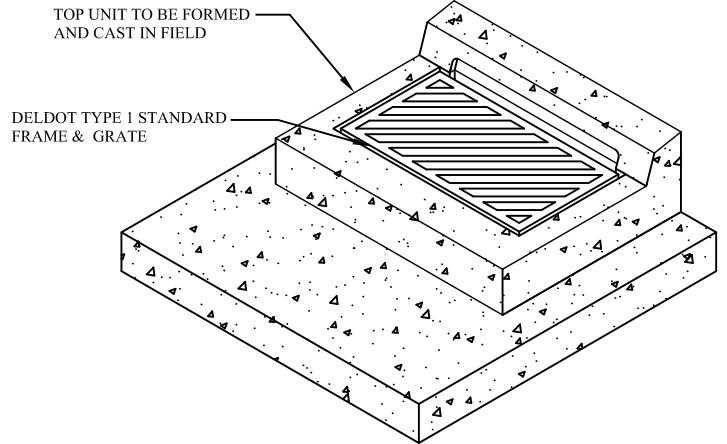


BOX SIZE	(A)	(B)
48"x48" ID	60"	60"
60"x60" ID	72"	72"



SPECIFICATIONS:

MINIMUM CONCRETE STRENGTH 4000 PSI @ 28 DAYS
 MATERIALS AND WORKMANSHIP IN ACCORDANCE WITH THE REQUIREMENTS OF DELAWARE DEPARTMENT OF TRANSPORTATION
 ALL BARS ARE TO BE #5 SPACED @ 6" UNLESS NOTED OTHERWISE
 TOP REINFORCEMENT SHALL BE 0.11 IN² HORIZONTAL REINFORCEMENT PER FOOT IN BOTH DIRECTIONS

Continental Concrete Products, Inc.
 1 South Grosstown Rd.
 Pottstown, PA 19464
 Phone: (610) 327-3700
 Fax: (610) 327-9488

DELDOT 48" X 48" & 60" X 60"
 CONVERSION LID w/ 24" X 34"
 DRAINAGE INLET OPENING

SIGNATURE OF APPROVAL	DATE	AR	DWG	STRUCTURE
	2/08/16		DEL48x48/60x60-24x34CV	