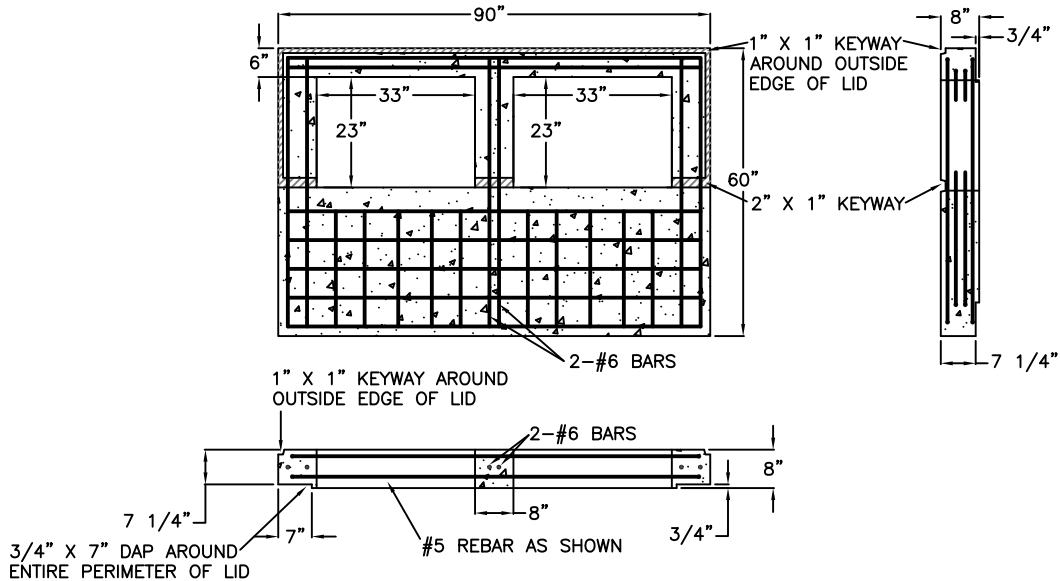


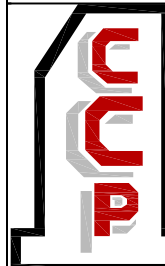
SINGLE GRATE



DOUBLE GRATE

SPECIFICATIONS:

MINIMUM CONCRETE STRENGTH 4000 PSI @ 28 DAYS
 MATERIALS AND WORKMANSHIP IN ACCORDANCE WITH THE REQUIREMENTS OF DELAWARE DEPARTMENT OF TRANSPORTATION
 ALL BARS ARE TO BE #5 SPACED @ 6" UNLESS NOTED OTHERWISE
 TOP REINFORCEMENT SHALL BE 0.11 IN² HORIZONTAL REINFORCEMENT PER FOOT IN BOTH DIRECTIONS



**Continental
 Concrete
 Products, Inc.**
 1 South Grosstown Rd.
 Pottstown, PA 19464
 Phone: (610) 327-3700
 Fax: (610) 327-9488

DELDOT 48" X 78"
 CONVERSION LID w/ 24" X 34"
 DRAINAGE INLET OPENING
 (SINGLE & DOUBLE FRAME & GRATE)

SIGNATURE OF APPROVAL

DATE

AR

DWG

STRUCTURE

2/08/16

DEL48x78-24x34CV