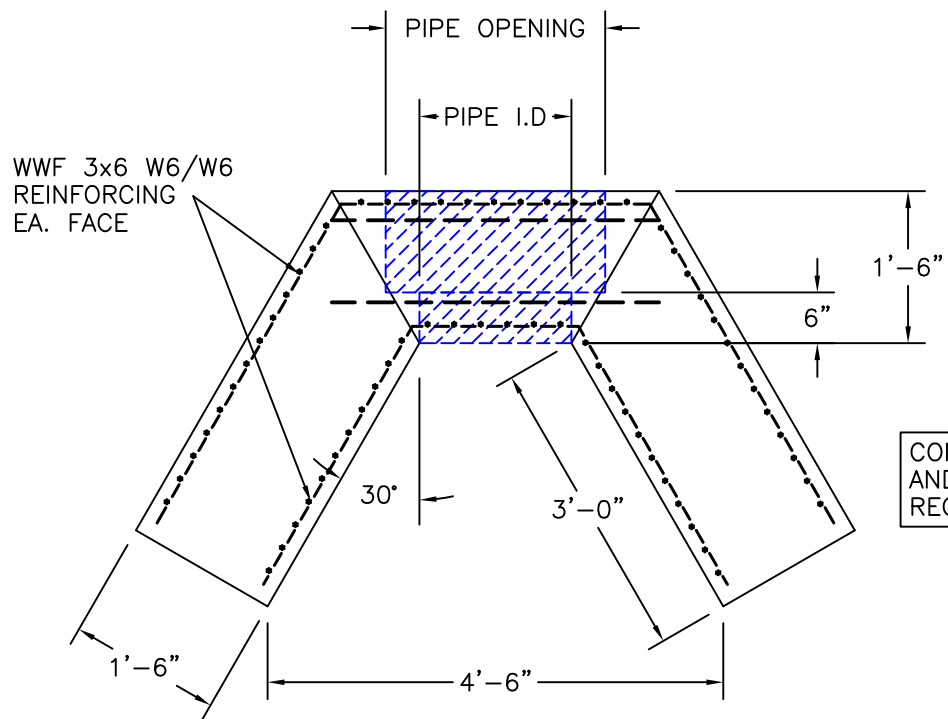
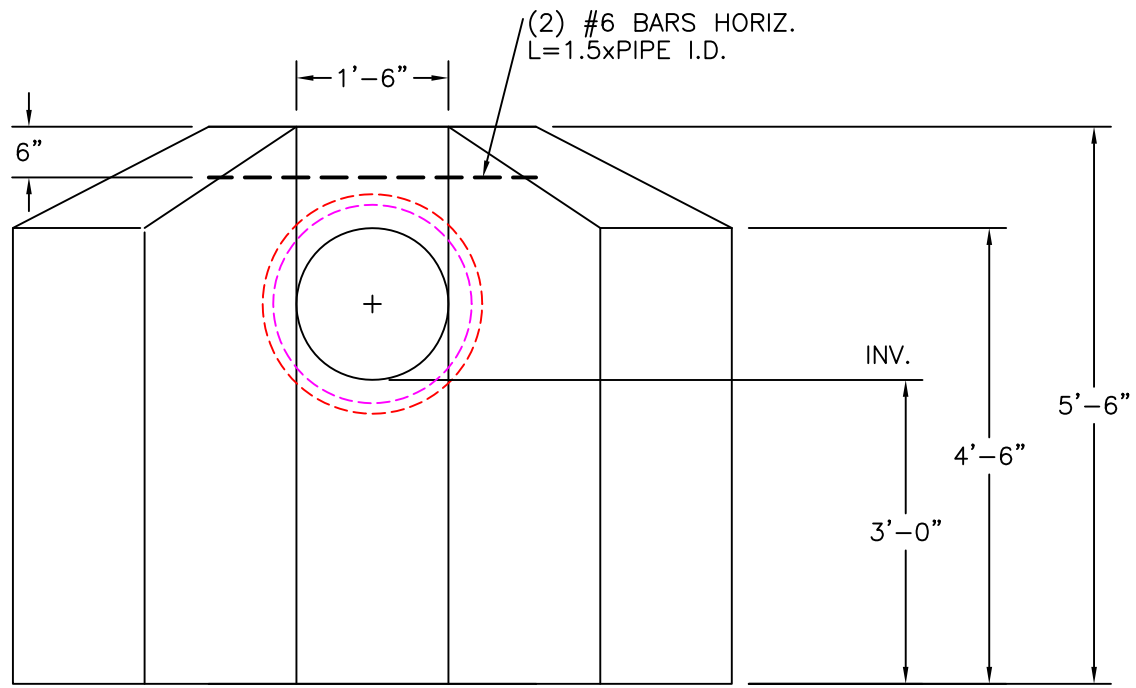


PIPE I.D.	PIPE OPENING
12"	19"
15"	22"
18"	26"



CONTRACTOR TO POUR APRON AND TOE WALLS IN FIELD IF REQUIRED

ALL EDGES TO HAVE 1" CHAMFER



MAXIMUM WEIGHT 4.5 TONS

**SPECIFICATIONS**

MATERIAL AND CONSTRUCTION SHALL COMPLY WITH NEW JERSEY DOT  
 NJ DOT CLASS B CONCRETE 4500 P.S.I. @ 28 DAYS  
 REINFORCEMENT IN ACCORDANCE WITH NJ DOT ROADWAY CONSTRUCTION STD. CD602-1.6



**Continental  
Concrete  
Products, Inc.**  
 1 South Grosstown Rd.  
 Pottstown, PA 19464  
 Phone: (610) 327-3700  
 Fax: (610) 327-9488

NEW JERSEY HEADWALL FOR  
 12"φ, 15"φ & 18"φ PIPE

SIGNATURE OF APPROVAL	DATE	LAR	DWG	STRUCTURE
	2/08/16		NJ1218HW	