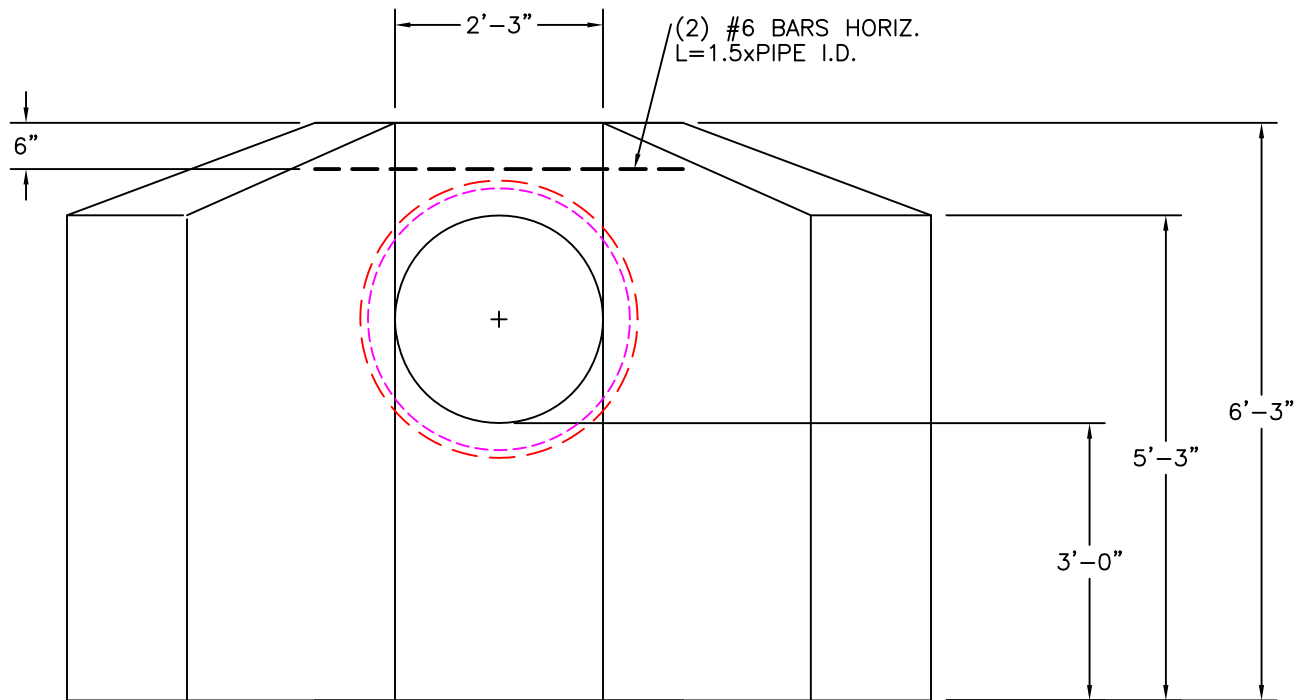


PIPE I.D.	PIPE OPENING
21"	29"
24"	33"
27"	36"

ALL EDGES TO HAVE 1" CHAMFER



MAXIMUM WEIGHT 8.0 TONS

**SPECIFICATIONS**

MATERIAL AND CONSTRUCTION SHALL COMPLY WITH NEW JERSEY DOT  
 NJ DOT CLASS B CONCRETE 4500 P.S.I. @ 28 DAYS  
 REINFORCEMENT IN ACCORDANCE WITH NJ DOT ROADWAY CONSTRUCTION STD. CD602-1.6

**Continental  
Concrete  
Products, Inc.**  
 1 South Grosstown Rd.  
 Pottstown, PA 19464  
 Phone: (610) 327-3700  
 Fax: (610) 327-9488

NEW JERSEY HEADWALL FOR 21"φ, 24"φ & 27"φ PIPE			
SIGNATURE OF APPROVAL	DATE	LAR	DWG
	2/08/16		NJ2127HW
			STRUCTURE