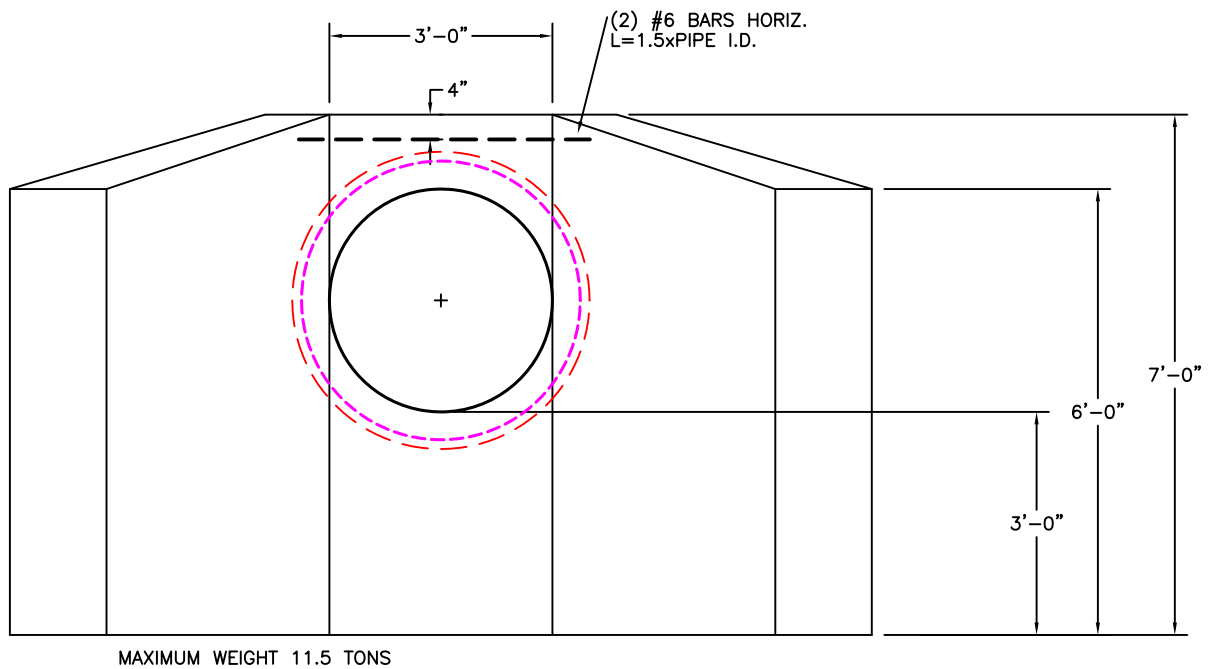


PIPE I.D.	PIPE OPENING
30"	41"
33"	44"
36"	48"



**SPECIFICATIONS**

MATERIAL AND CONSTRUCTION SHALL COMPLY WITH NEW JERSEY DOT  
 NJ DOT CLASS B CONCRETE 4500 P.S.I. @ 28 DAYS  
 REINFORCEMENT IN ACCORDANCE WITH NJ DOT ROADWAY CONSTRUCTION STD. CD602-1.6

**Continental  
Concrete  
Products, Inc.**  
 1 South Grosstown Rd.  
 Pottstown, PA 19464  
 Phone: (610) 327-3700  
 Fax: (610) 327-9488

**NEW JERSEY HEADWALL FOR  
 30"φ, 33"φ & 36"φ PIPE**

SIGNATURE OF APPROVAL	DATE	LAR	DWG	STRUCTURE
	2/08/16		NJ3036HW	