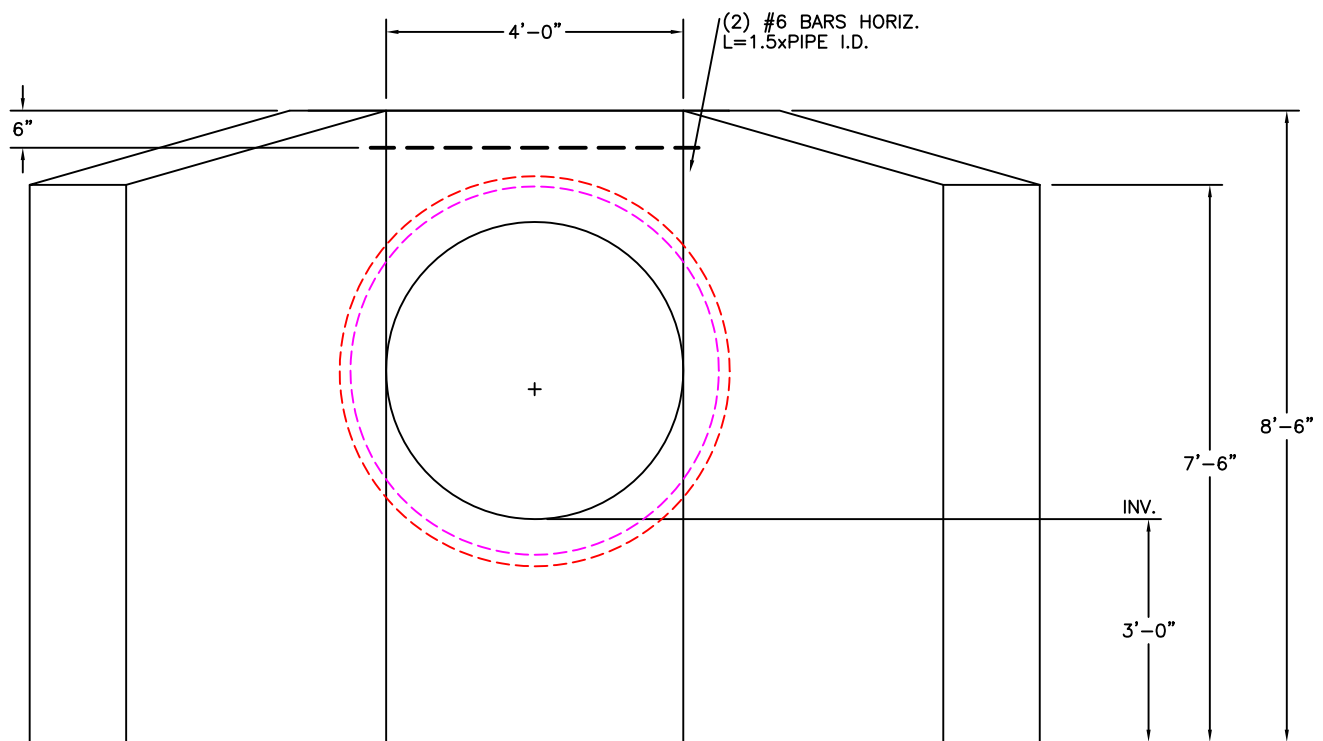


PIPE I.D.	PIPE OPENING
42"	56"
48"	63"



MAXIMUM WEIGHT 16.0 TONS

SPECIFICATIONS

MATERIAL AND CONSTRUCTION SHALL COMPLY WITH NEW JERSEY DOT
 NJ DOT CLASS B CONCRETE 4500 P.S.I. @ 28 DAYS
 REINFORCEMENT IN ACCORDANCE WITH NJ DOT ROADWAY CONSTRUCTION STD. CD602-1.6

**Continental
Concrete
Products, Inc.**
 1 South Grosstown Rd.
 Pottstown, PA 19464
 Phone: (610) 327-3700
 Fax: (610) 327-9488

**NEW JERSEY HEADWALL FOR
42"φ & 48"φ PIPE**

SIGNATURE OF APPROVAL	DATE	AR	DWG	STRUCTURE
	2/08/16		NJ4248HW	