

1" PVC ANTI-SIPHON  
PIPE ADAPTER

6.50"

Ø18.00"

Ø22.00"

REMOVABLE WATERTIGHT  
ACCESS PORT, 6" OPENING

R9.00"

9.00"

25.00"

2.00"

16.00"

27.00"

R1.00"

20.00"

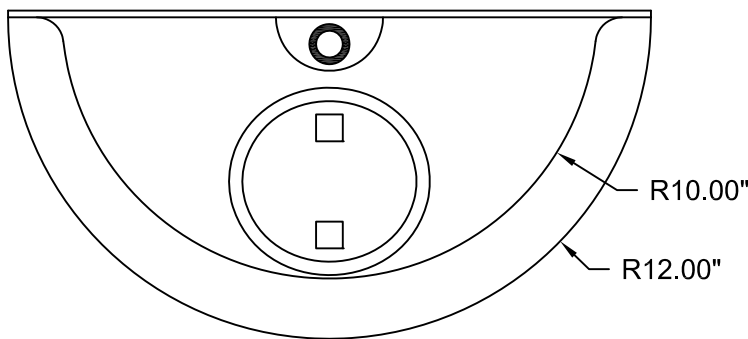
24.00"

10.00"

12.00"

FRONT

SIDE



R10.00"

R12.00"

PLAN

\*AS MANUFACTURED BY BMP, INC., LYME, CT.



**Continental  
Concrete  
Products, Inc.**  
1 South Grosstown Rd.  
Pottstown, PA 19464  
Phone: (610) 327-3700  
Fax: (610) 327-9488

18F SNOUT OIL & DEBRIS STOP  
(USED FOR 12" & 15" PIPE)

SIGNATURE OF APPROVAL

DATE

AR

DWG

STRUCTURE

2/08/16

18F