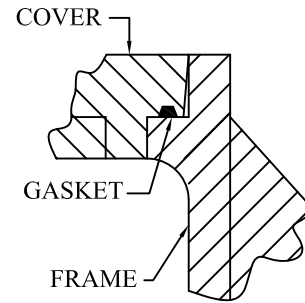
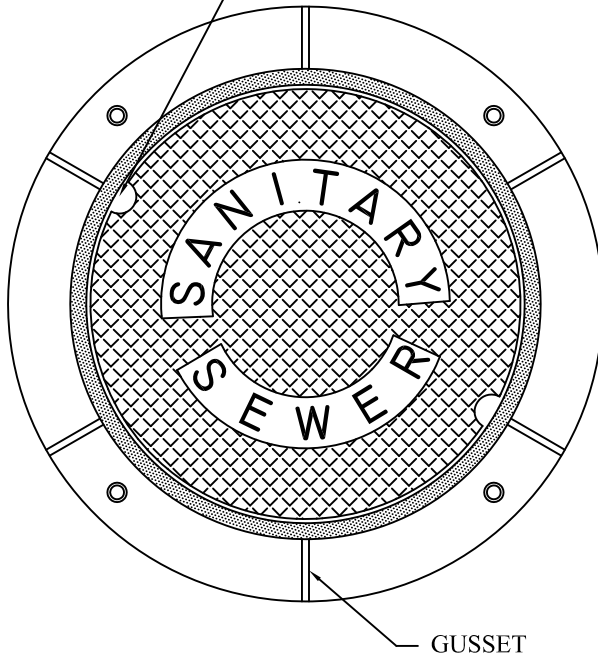
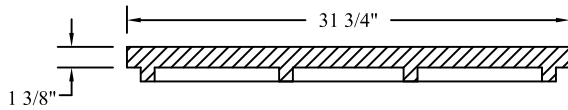


EACH COVER SHALL
HAVE 2 WATERTIGHT
PICK HOLES



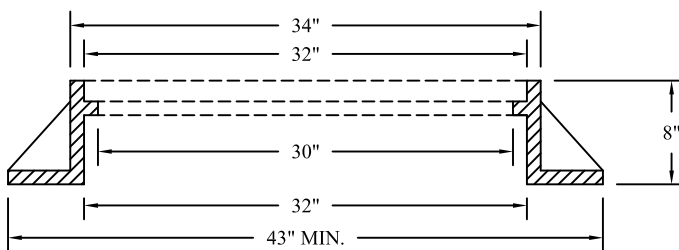
DETAIL FOR GASKET
IN DOVE TAIL GROOVE
(SANITARY COVER ONLY)



SECTION VIEW OF COVER



ALTERNATE STORM
COVER



SECTION VIEW OF FRAME

SPECIFICATIONS:

ALL MATERIAL IS ASTM A48 CLASS 35B GRAY IRON.
SUITABLE FOR H25 LOAD DESIGN.

*1012B AS MANUFACTURED BY CAMPBELL FOUNDRY COMPANY



**Continental
Concrete
Products, Inc.**
1 South Grosstown Rd.
Pottstown, PA 19464
Phone: (610) 327-3700
Fax: (610) 327-9488

NEW JERSEY 30" MANHOLE FRAME & COVER

SIGNATURE OF APPROVAL

DATE

AR

DWG

STRUCTURE

2/08/16

NJ30MHFC