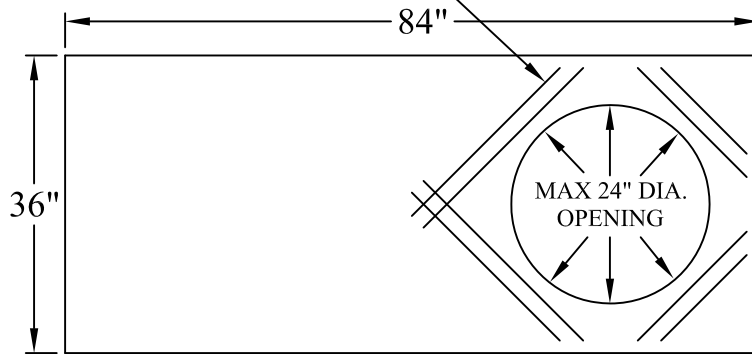


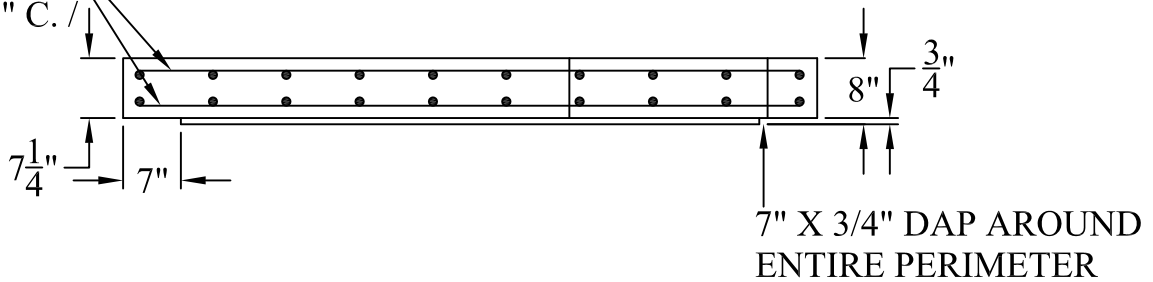
EXTRA  
#4 REBAR  
T. & B. MATT



ALSO AVAILABLE AS A  
SOLID CAP (NO OPENINGS)

DOUBLE MAT  
GRADE 60 #4  
REBAR @ 8" C. /  
C. E.W.

CONVERSION LID TO  
FRAME AND COVER



**SPECIFICATIONS:**

MINIMUM CONCRETE STRENGTH 4000 PSI @ 28 DAYS (PENNDOT CLASS AA)  
MATERIALS AND WORKMANSHIP IN ACCORDANCE WITH THE REQUIREMENTS  
OF PENNDOT PUBLICATION 408 SECTION 605 & 714  
STEEL REINFORCEMENT A615 GRADE 60 HORIZONTAL AND VERTICAL



**Continental  
Concrete  
Products, Inc.**  
1 South Grosstown Rd.  
Pottstown, PA 19464  
Phone: (610) 327-3700  
Fax: (610) 327-9488

**24" X 72" INLET  
CONVERSION LID w/ MAX. 24" DIA.  
MANHOLE FRAME & COVER**

SIGNATURE OF APPROVAL

DATE

AR

DWG

STRUCTURE

2/08/16

2X6-MHCV