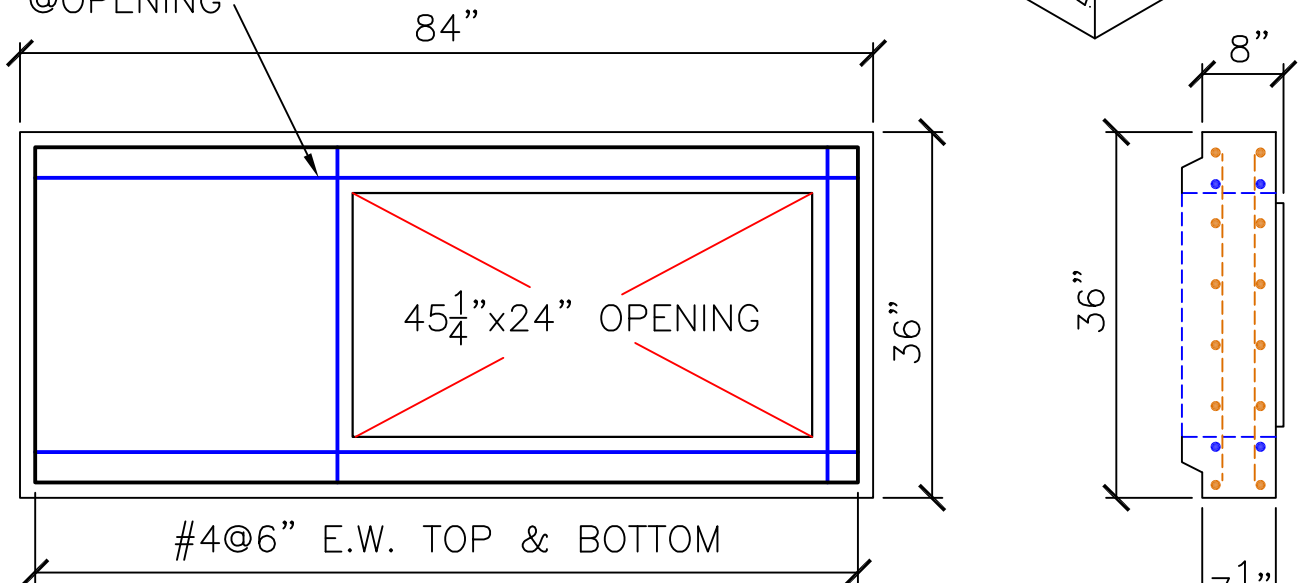
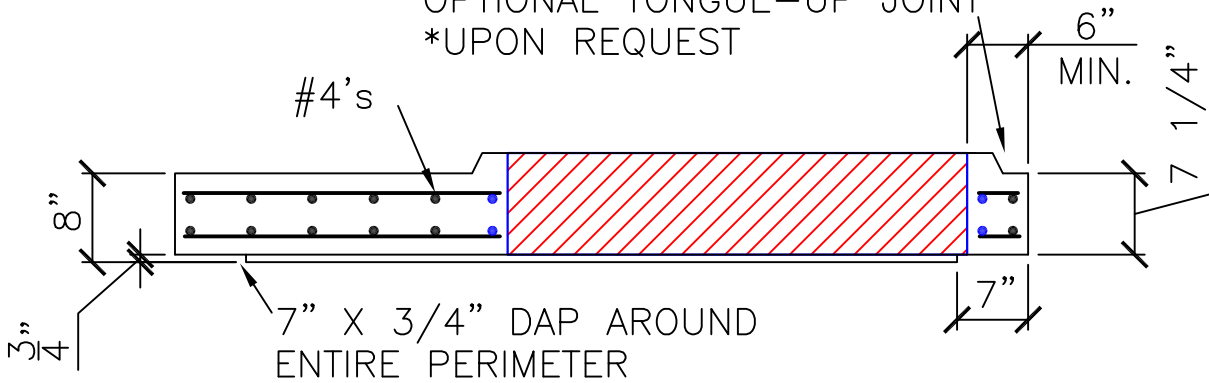


ADDITIONAL
#4's @ OPENING

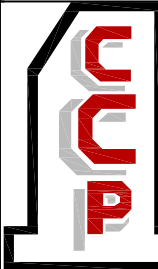


OPTIONAL TONGUE-UP JOINT
*UPON REQUEST



SPECIFICATIONS:

MINIMUM CONCRETE STRENGTH 4000 PSI @ 28 DAYS (PENNDOT CLASS AA)
 MATERIALS AND WORKMANSHIP IN ACCORDANCE WITH THE REQUIREMENTS
 OF PENNDOT PUBLICATION 408 SECTION 605 & 714
 STEEL REINFORCEMENT A615 GRADE 60 HORIZONTAL AND VERTICAL



**Continental
Concrete
Products, Inc.**
 1 South Grosstown Rd.
 Pottstown, PA 19464
 Phone: (610) 327-3700
 Fax: (610) 327-9488

**24" X 72" INLET
CONVERSION LID w/ STANDARD
PENNDOT INLET OPENING**

SIGNATURE OF APPROVAL

DATE

AR

DWG

STRUCTURE

2/08/16

2X6-2X4CV