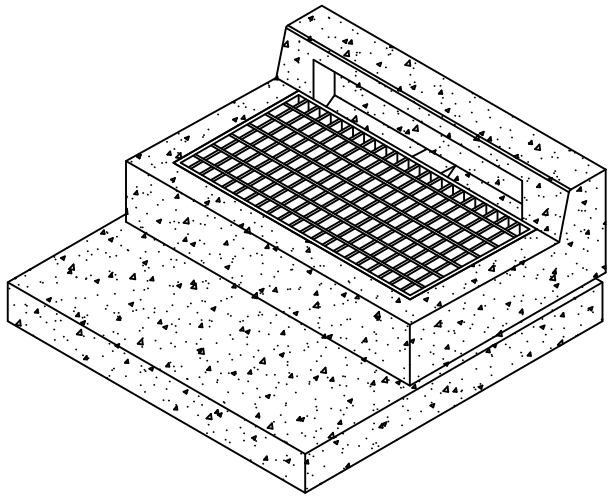
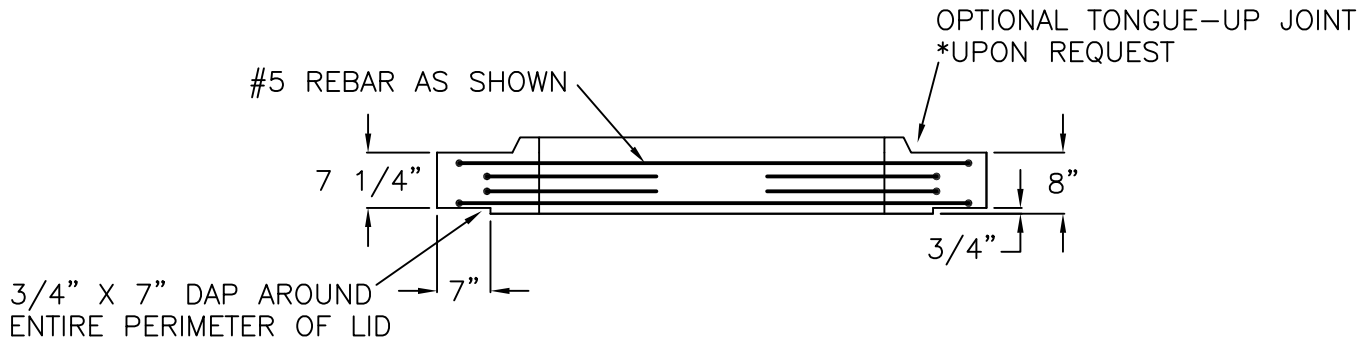
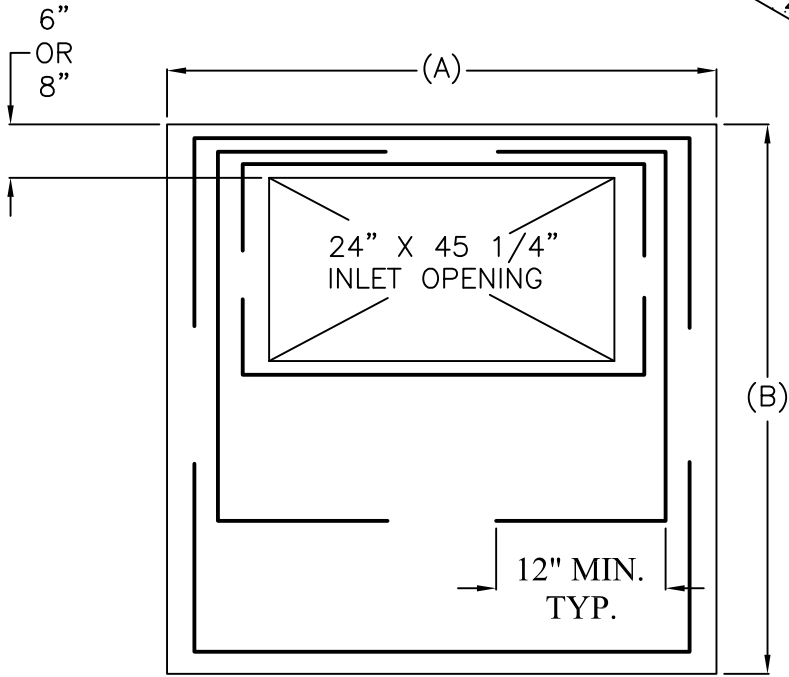


BOX SIZE	(A)	(B)
48"x48" ID TYPE 4	60"	60"
60"x60" ID TYPE 5	72"	72"
72"x72" ID TYPE 6	84"	84"
72"x72" ID W/8" WALL	88"	88"



24" X 45 1/4" INLET
OPENING TO BE
LOCATED AS REQUIRED
BY FIELD CONDITIONS



SPECIFICATIONS:

MINIMUM CONCRETE STRENGTH 4000 PSI @ 28 DAYS (PENNDOT CLASS AA)
 MATERIALS AND WORKMANSHIP IN ACCORDANCE WITH THE REQUIREMENTS
 OF PENNDOT PUBLICATION 408 SECTION 605 & 714
 STEEL REINFORCEMENT A615 GRADE 60 HORIZONTAL AND VERTICAL

**Continental
Concrete
Products, Inc.**
 1 South Grosstown Rd.
 Pottstown, PA 19464
 Phone: (610) 327-3700
 Fax: (610) 327-9488

48" X 48", 60" X 60" & 72" X 72" INLET CONVERSION LID w/ STANDARD PENNDOT INLET OPENING			
SIGNATURE OF APPROVAL	DATE	AR	DWG
	2/08/16		48x48/72x72-2x4CV
			STRUCTURE