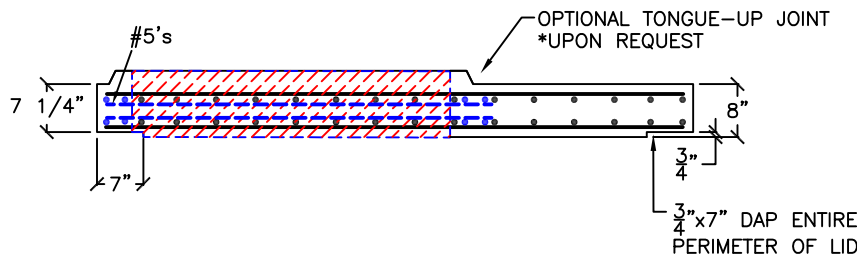
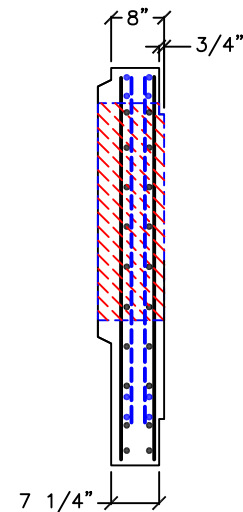
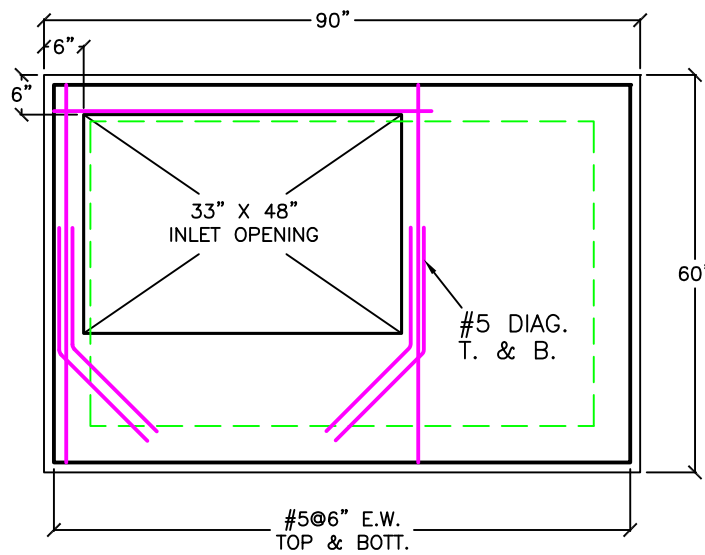
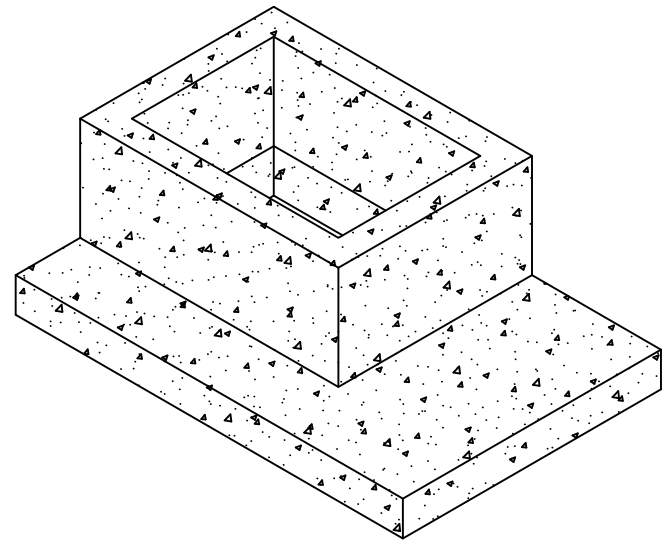


33" X 48" INLET OPENING TO BE  
LOCATED AS REQUIRED BY FIELD CONDITIONS



**SPECIFICATIONS:**

MINIMUM CONCRETE STRENGTH 4000 PSI @ 28 DAYS (PENNDOT CLASS AA)  
MATERIALS AND WORKMANSHIP IN ACCORDANCE WITH THE REQUIREMENTS  
OF PENNDOT PUBLICATION 408 SECTION 605 & 714  
STEEL REINFORCEMENT A615 GRADE 60 HORIZONTAL AND VERTICAL

**Continental  
Concrete  
Products, Inc.**  
1 South Grosstown Rd.  
Pottstown, PA 19464  
Phone: (610) 327-3700  
Fax: (610) 327-9488

48" X 78" INLET  
CONVERSION LID w/ 33" X 48"  
INLET OPENING

SIGNATURE OF APPROVAL	DATE	AR	DWG	STRUCTURE
	2/08/16		48x78-33x48CV	