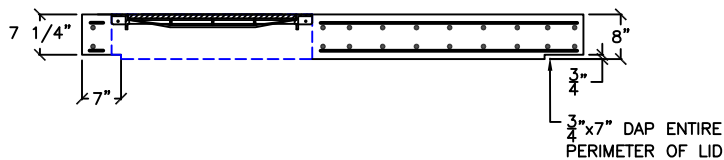
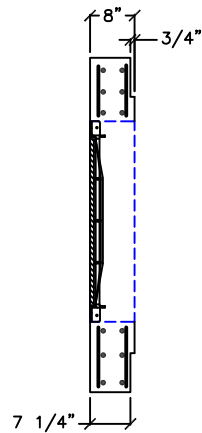
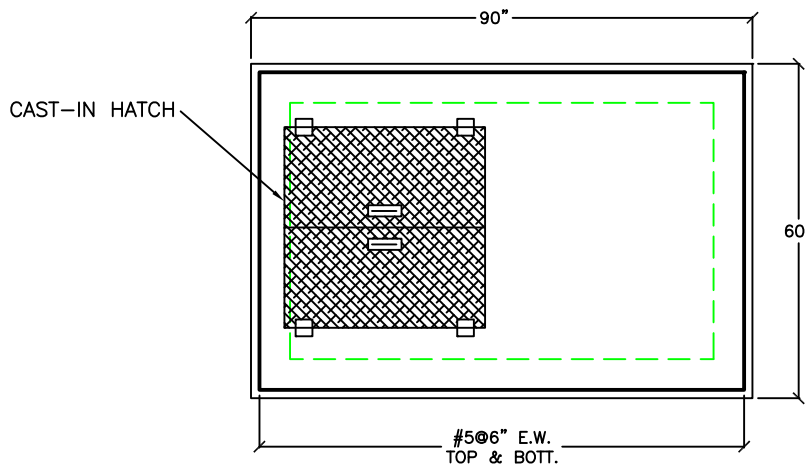
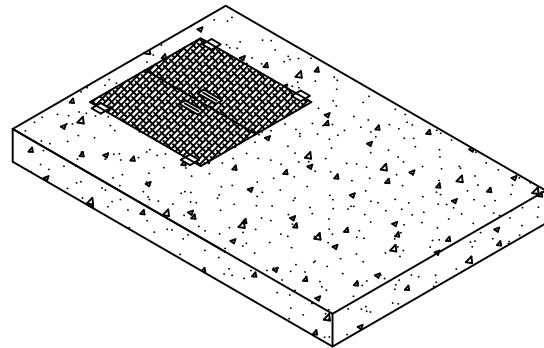


CAST-IN HATCH VARIES IN DIMENSIONS,
 STYLE AND LOCATION AS REQUIRED
 BY FIELD CONDITIONS AND SEPCIFICATIONS.



SPECIFICATIONS:

MINIMUM CONCRETE STRENGTH 4000 PSI @ 28 DAYS (PENNDOT CLASS AA)
 MATERIALS AND WORKMANSHIP IN ACCORDANCE WITH THE REQUIREMENTS
 OF PENNDOT PUBLICATION 408 SECTION 605 & 714
 STEEL REINFORCEMENT A615 GRADE 60 HORIZONTAL AND VERTICAL

**Continental
 Concrete
 Products, Inc.**
 1 South Grosstown Rd.
 Pottstown, PA 19464
 Phone: (610) 327-3700
 Fax: (610) 327-9488

48" X 78" INLET
 CONVERSION LID w/ HATCH DOOR
 (AS REQUIRED)

SIGNATURE OF APPROVAL	DATE	AR	DWG	STRUCTURE
	2/08/16		48x78-HDCV	