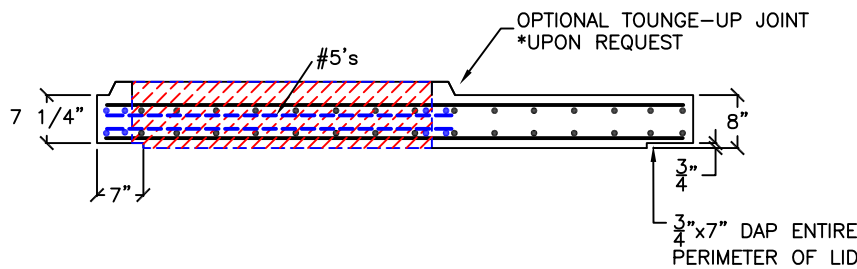
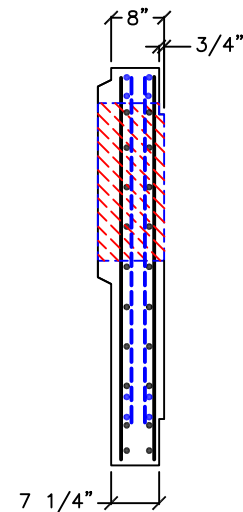
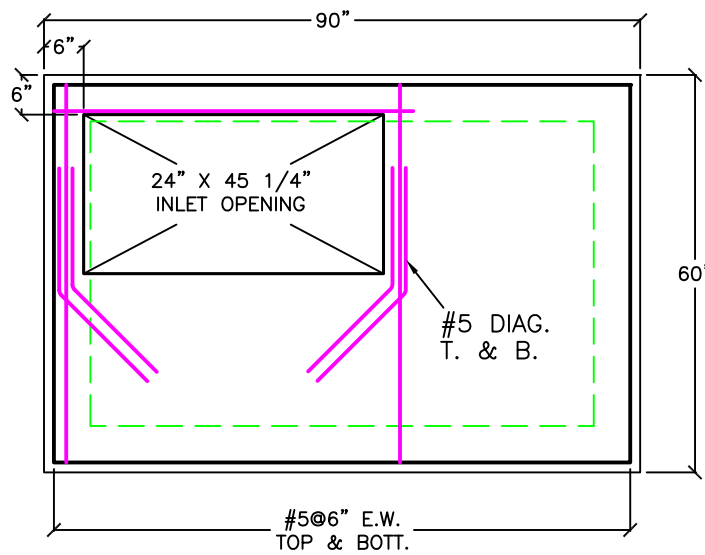
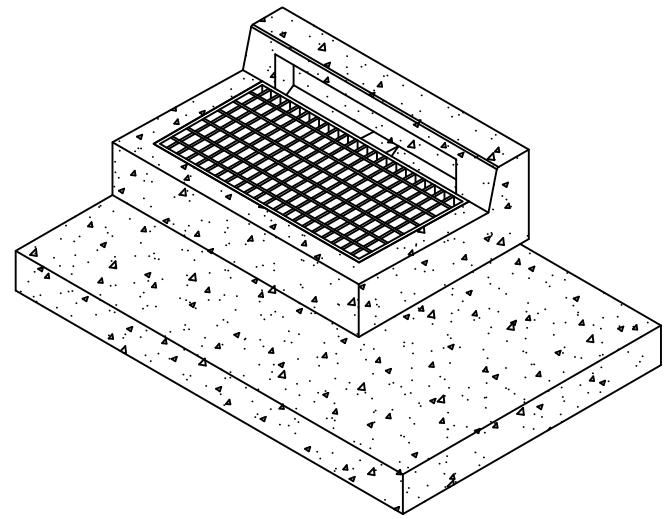


24" X 45 1/4" INLET OPENING TO BE LOCATED AS REQUIRED BY FIELD CONDITIONS



SPECIFICATIONS:

MINIMUM CONCRETE STRENGTH 4000 PSI @ 28 DAYS (PENNDOT CLASS AA)
 MATERIALS AND WORKMANSHIP IN ACCORDANCE WITH THE REQUIREMENTS
 OF PENNDOT PUBLICATION 408 SECTION 605 & 714
 STEEL REINFORCEMENT A615 GRADE 60 HORIZONTAL AND VERTICAL

**Continental
Concrete
Products, Inc.**
 1 South Grosstown Rd.
 Pottstown, PA 19464
 Phone: (610) 327-3700
 Fax: (610) 327-9488

48" X 78" INLET
 CONVERSION LID w/ STANDARD
 PENNDOT INLET OPENING

SIGNATURE OF APPROVAL	DATE	AR	DWG	STRUCTURE
	2/08/16		48x78-2x4CV	