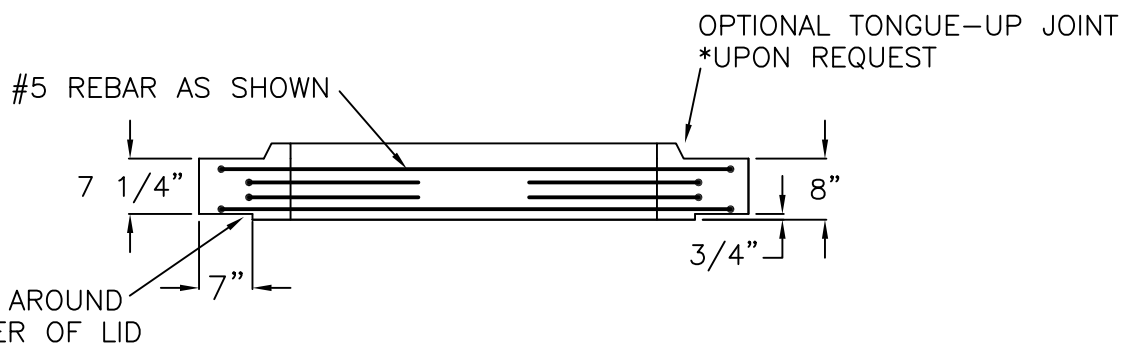
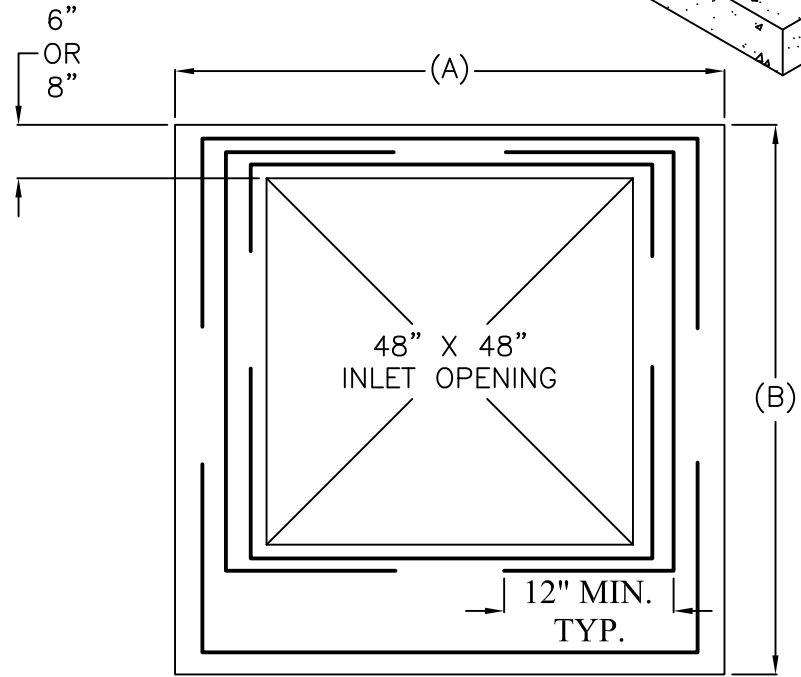
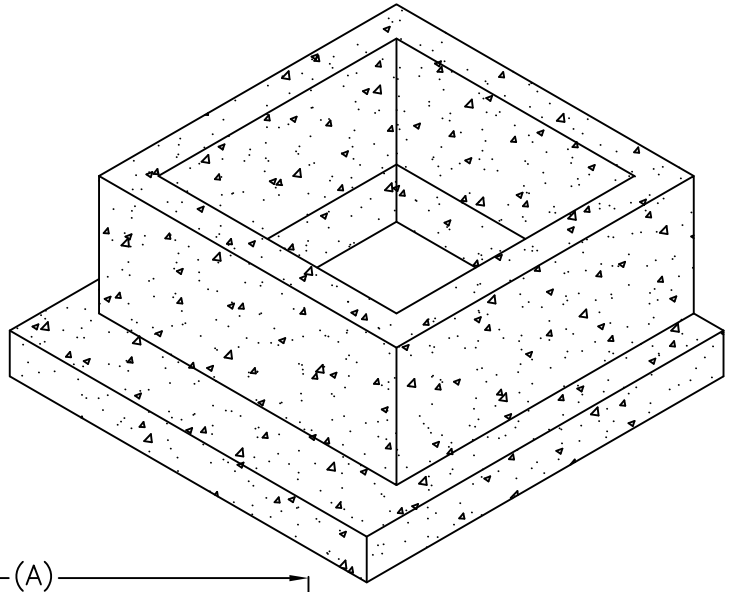


BOX SIZE	(A)	(B)
60"x60" ID TYPE 5	72"	72"
72"x72" ID TYPE 6	84"	84"
72"x72" ID W/8" WALL	88"	88"

48" X 48" INLET  
OPENING TO BE  
LOCATED AS REQUIRED  
BY FIELD CONDITIONS



**SPECIFICATIONS:**

MINIMUM CONCRETE STRENGTH 4000 PSI @ 28 DAYS (PENNDOT CLASS AA)  
 MATERIALS AND WORKMANSHIP IN ACCORDANCE WITH THE REQUIREMENTS  
 OF PENNDOT PUBLICATION 408 SECTION 605 & 714  
 STEEL REINFORCEMENT A615 GRADE 60 HORIZONTAL AND VERTICAL

**Continental  
Concrete  
Products, Inc.**  
 1 South Grosstown Rd.  
 Pottstown, PA 19464  
 Phone: (610) 327-3700  
 Fax: (610) 327-9488

60" X 60" & 72" X 72" INLET  
 CONVERSION LID w/ 48" X 48"  
 INLET OPENING

SIGNATURE OF APPROVAL	DATE	AR	DWG	STRUCTURE
	2/08/16		60x60/72x72-48x48CV	