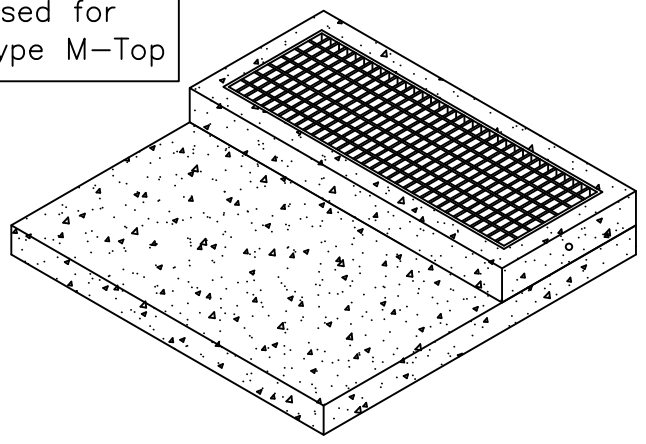
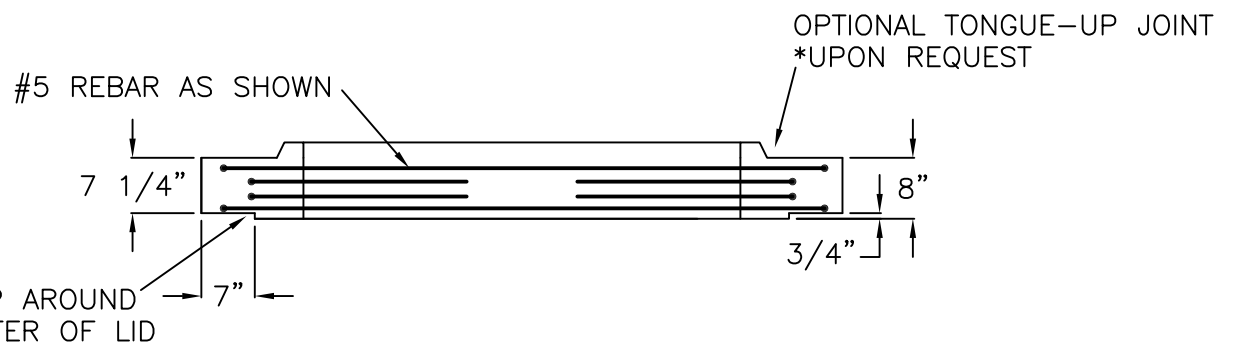
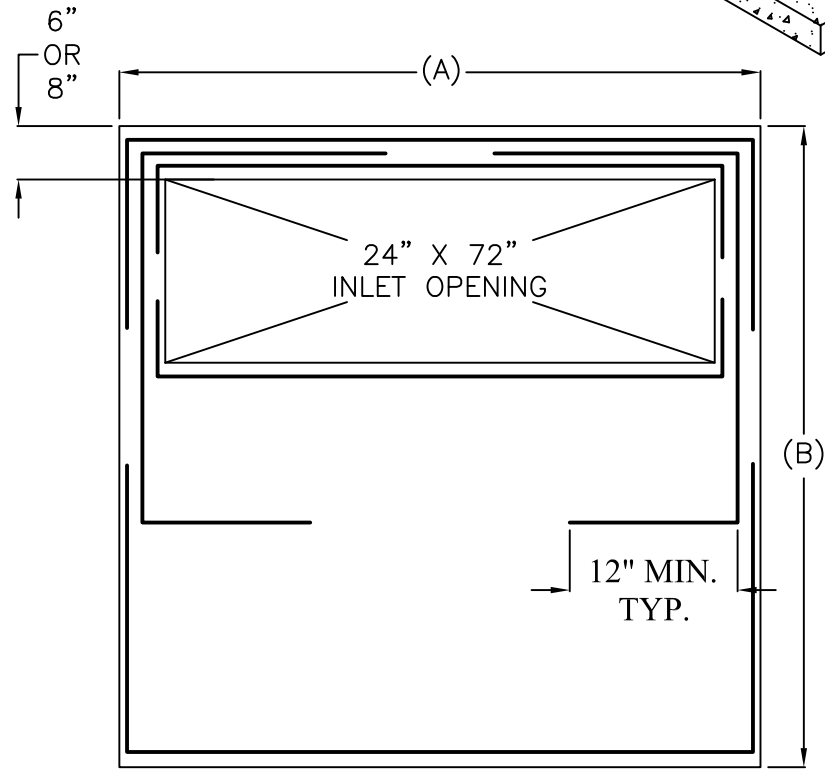


BOX SIZE	(A)	(B)
72"x72" ID TYPE 6	84"	84"
72"x72" ID W/8" WALL	88"	88"

NOTE: Conversion Lid used for
6' Type C-Top & 6' Type M-Top



24" X 72" INLET
OPENING TO BE
LOCATED AS REQUIRED
BY FIELD CONDITIONS



SPECIFICATIONS:

MINIMUM CONCRETE STRENGTH 4000 PSI @ 28 DAYS (PENNDOT CLASS AA)
 MATERIALS AND WORKMANSHIP IN ACCORDANCE WITH THE REQUIREMENTS
 OF PENNDOT PUBLICATION 408 SECTION 605 & 714
 STEEL REINFORCEMENT A615 GRADE 60 HORIZONTAL AND VERTICAL

**Continental
Concrete
Products, Inc.**
 1 South Grosstown Rd.
 Pottstown, PA 19464
 Phone: (610) 327-3700
 Fax: (610) 327-9488

72" X 72" INLET CONVERSION LID w/ 24" X 72" INLET OPENING			
SIGNATURE OF APPROVAL	DATE	AR	DWG
	2/08/16		72x72-2x6CV
			STRUCTURE