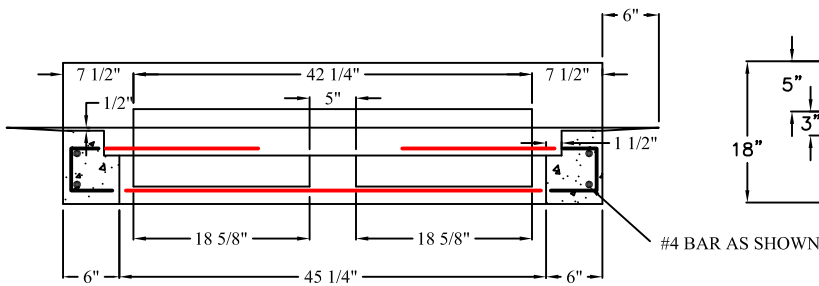
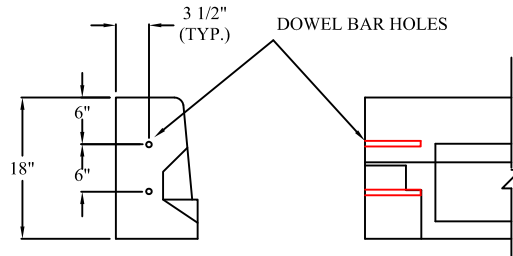
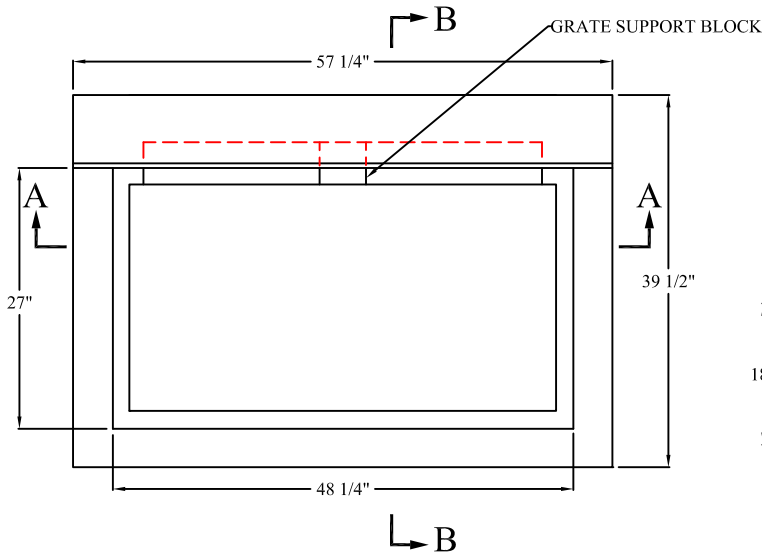
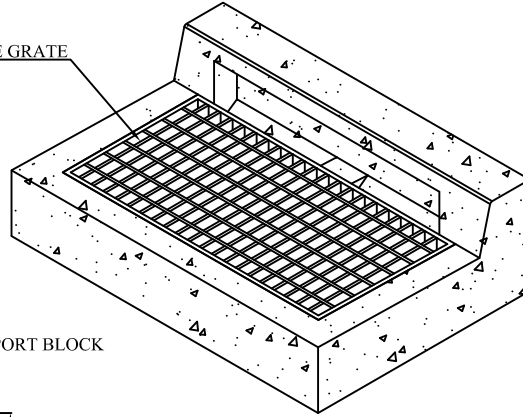
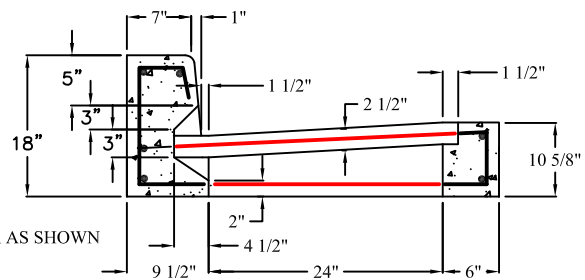


4' BICYCLE-SAFE GRATE



SECTION 'A-A'



SECTION 'B-B'

SPECIFICATIONS:

MINIMUM CONCRETE STRENGTH 4000 PSI @ 28 DAYS (PENNDOT CLASS AA)
 MATERIALS AND WORKMANSHIP IN ACCORDANCE WITH THE REQUIREMENTS
 OF PENNDOT PUBLICATION 408 SECTION 605 & 714
 STEEL REINFORCEMENT A615 GRADE 60 HORIZONTAL AND VERTICAL
 WEIGHT: 1350 LBS.

**Continental
Concrete
Products, Inc.**
 1 South Grosstown Rd.
 Pottstown, PA 19464
 Phone: (610) 327-3700
 Fax: (610) 327-9488

4' TYPE C INLET TOP
 (RC-34 DESIGN)

SIGNATURE OF APPROVAL

DATE

AR

DWG

STRUCTURE

2/08/16

34CTOP