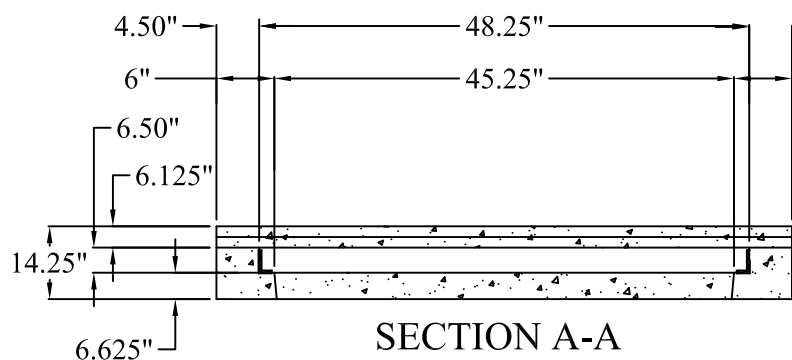
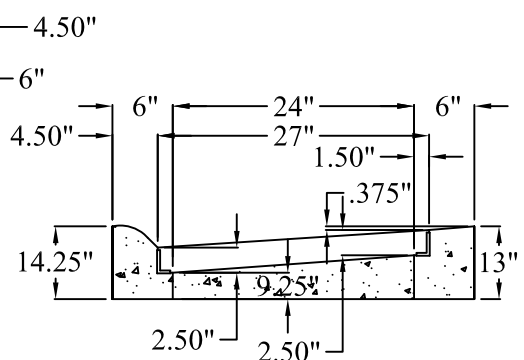


(4) SIDES L 1 3/4" X 1 3/4" X 1/4"
GALVANIZED STEEL FRAME
EMBEDDED IN CONCRETE

#4 BARS (TYP)



SECTION A-A



SECTION B-B

SPECIFICATIONS:

MINIMUM CONCRETE STRENGTH 4000 PSI @ 28 DAYS (PENNDOT CLASS AA)
 MATERIALS AND WORKMANSHIP IN ACCORDANCE WITH THE REQUIREMENTS
 OF PENNDOT PUBLICATION 408 SECTION 605 & 714
 STEEL REINFORCEMENT A615 GRADE 60 HORIZONTAL AND VERTICAL
 WEIGHT: 1000 LBS.

PENNDOT 4' TYPE S INLET TOP
(RC-45M DESIGN)

SIGNATURE OF APPROVAL	DATE	AR	DWG	STRUCTURE
	2/08/16		45MSTOP	