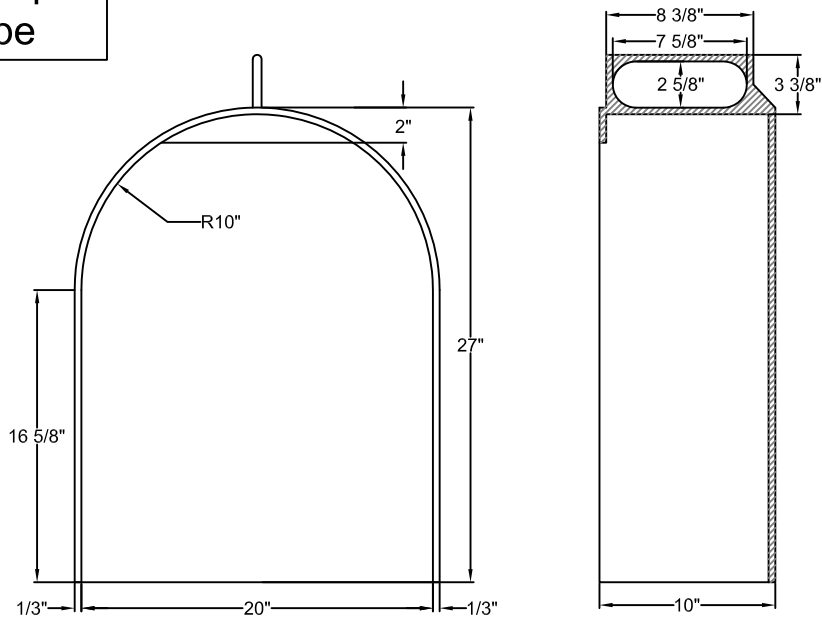
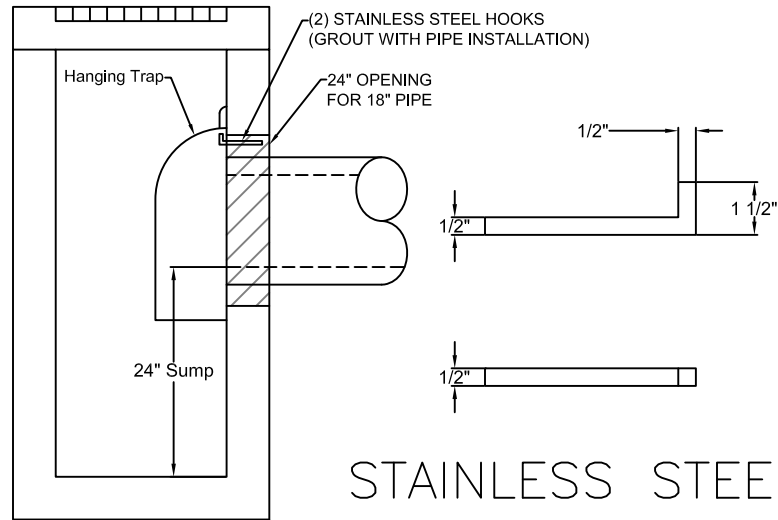


To be used with up to  
18" Diameter Pipe



PLAN

SECTION



INSTALLATION  
DETAIL

STAINLESS STEEL  
HOOK DETAIL

**SPECIFICATIONS:**

ALL MATERIAL IS ASTM A48 CLASS 35B GRAY IRON..  
TOTAL WEIGHT IS 140 LBS.  
2 HOOKS REQUIRED PER TRAP.



**Continental  
Concrete  
Products, Inc.**  
1 South Grosstown Rd.  
Pottstown, PA 19464  
Phone: (610) 327-3700  
Fax: (610) 327-9488

18"  $\varnothing$  PIPE HANGING TRAP

SIGNATURE OF APPROVAL

DATE

AR

DWG

STRUCTURE

2/08/16

18HT