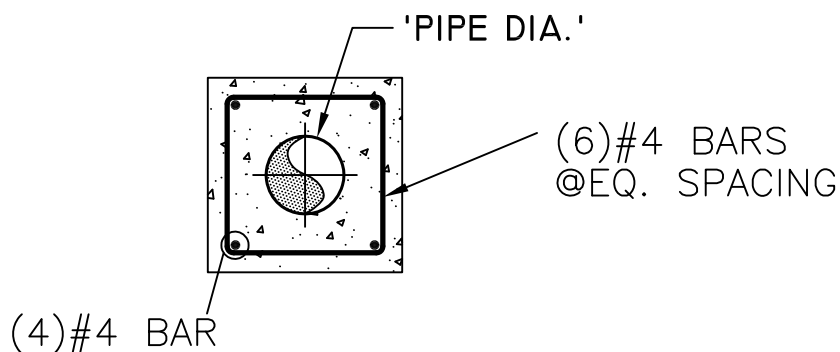
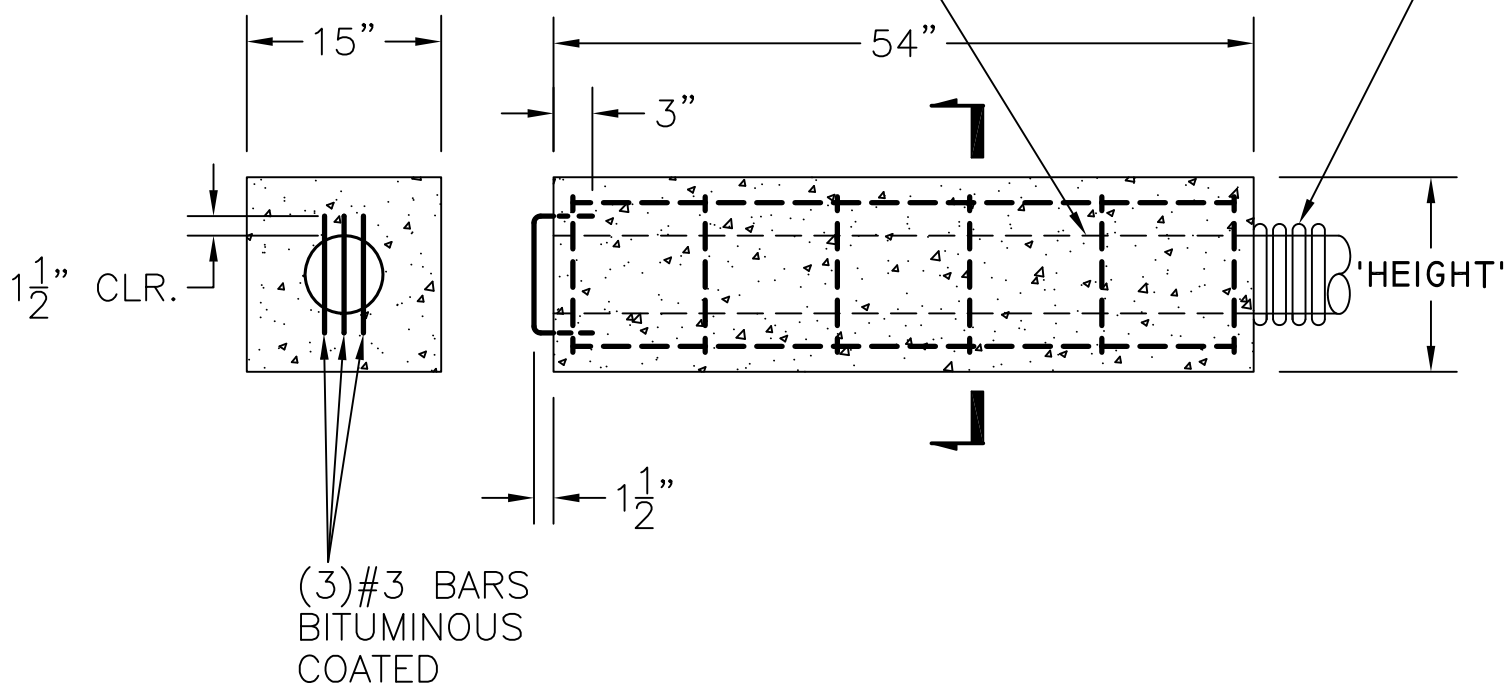


PIPE DIA.	HEIGHT
4"	12"
6"	15"
8"	16"
10"	18"



SECTION

CAST A 60" LENGTH OF HDPE AS SPECIFIED CAST IN PIPE EXTENDED 6" OF HDPE AS SPECIFIED



SPECIFICATIONS:

- MINIMUM CONCRETE STRENGTH 4000 PSI @ 28 DAYS (PENNDOT CLASS AA)
- SUBSURFACE DRAIN OUTLET ENDWALL DESIGNED AS PER PENNDOT SPECIFICATION
- EXPOSED EDGES TO HAVE 1" X 1" CHAMFER
- MATERIALS AND WORKMANSHIP IN ACCORDANCE WITH THE REQUIREMENTS OF PENNDOT PUBLICATION 408 SECTION 605 & 714
- STEEL REINFORCEMENT A615 GRADE 60 HORIZONTAL AND VERTICAL

**Continental
Concrete
Products, Inc.**
1 South Grosstown Rd.
Pottstown, PA 19464
Phone: (610) 327-3700
Fax: (610) 327-9488

**PENNDOT SUBSURFACE DRAIN OUTLET ENDWALL
FOR 4"Ø THRU 10"Ø PIPE**

SIGNATURE OF APPROVAL

DATE

AR

DWG

STRUCTURE

2/08/16

4-10 SDEW