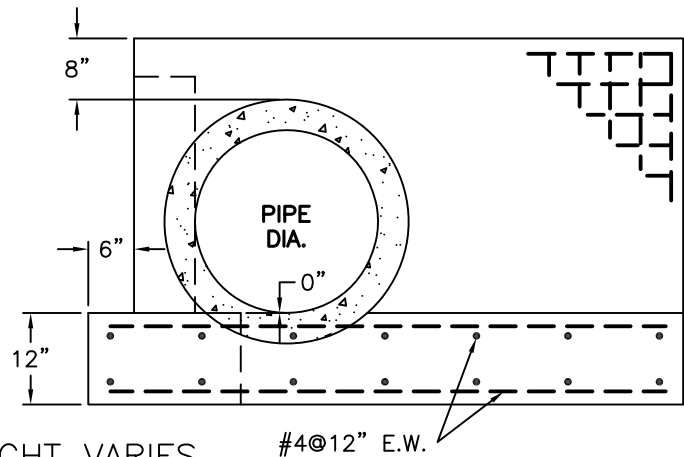
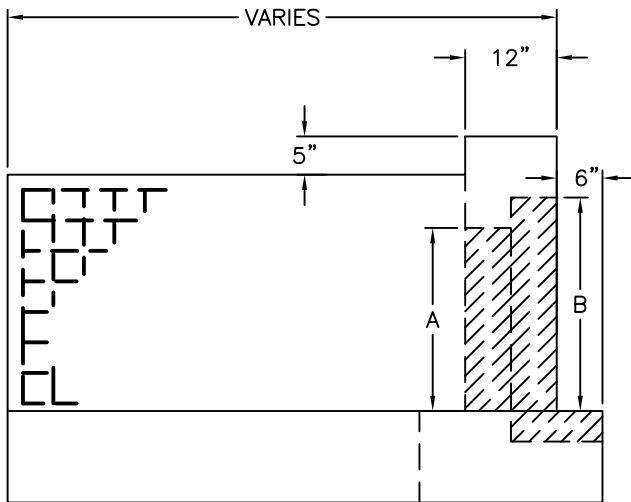
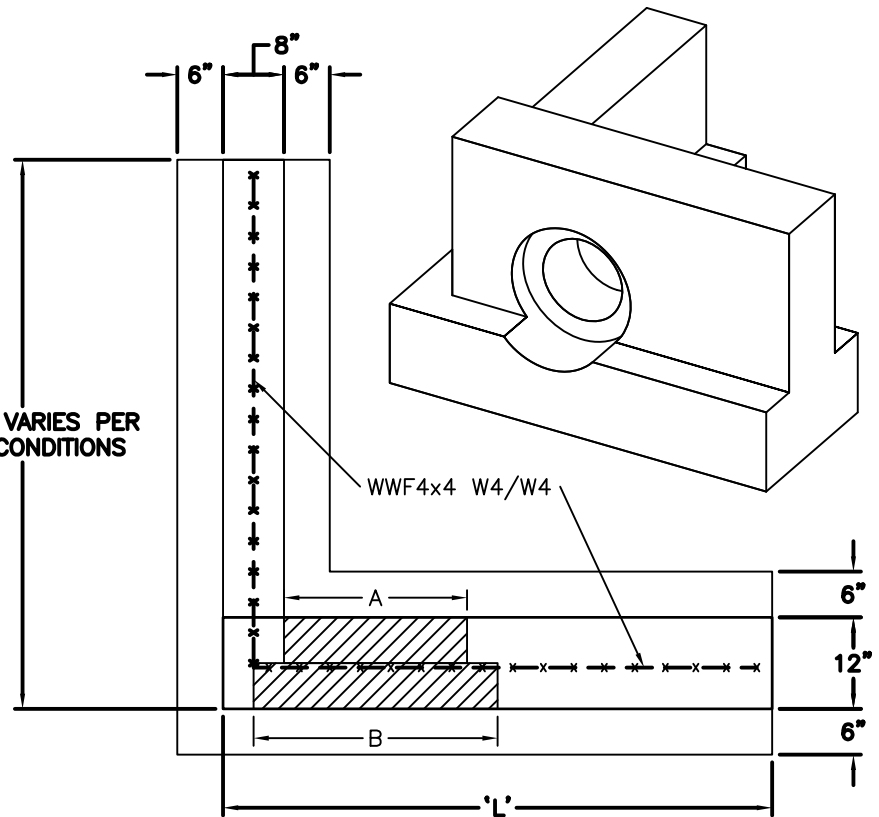


PIPE ϕ	'L'
12"	42"
15"	54"
18"	60"
21"	66"
24"	72"
27"	84"
30"	90"
36"	102"

PIPE SIZE	A	B
12" ϕ	12" ϕ	19" ϕ
15" ϕ	15" ϕ	22" ϕ
18" ϕ	18" ϕ	25" ϕ
21" ϕ	21" ϕ	29" ϕ
24" ϕ	24" ϕ	33" ϕ
27" ϕ	27" ϕ	36" ϕ
30" ϕ	30" ϕ	40" ϕ
36" ϕ	36" ϕ	48" ϕ

LENGTH VARIES PER FIELD CONDITIONS



MAXIMUM WEIGHT VARIES

SPECIFICATIONS:

- MINIMUM CONCRETE STRENGTH 4000 PSI @ 28 DAYS (PENNDOT CLASS AA)
- DE ENDWALL DESIGNED AS PER PENNDOT SPECIFICATION
- EXPOSED EDGES TO HAVE 1" X 1" CHAMFER
- MATERIALS AND WORKMANSHIP IN ACCORDANCE WITH THE REQUIREMENTS OF PENNDOT PUBLICATION 408 SECTION 605 & 714
- STEEL REINFORCEMENT A615 GRADE 60 HORIZONTAL AND VERTICAL

**Continental
Concrete
Products, Inc.**
1 South Grosstown Rd.
Pottstown, PA 19464
Phone: (610) 327-3700
Fax: (610) 327-9488

PENNDOT TYPE 'DE' ENDWALL

SIGNATURE OF APPROVAL

DATE

AR

DWG

STRUCTURE

2/08/16

DE EW