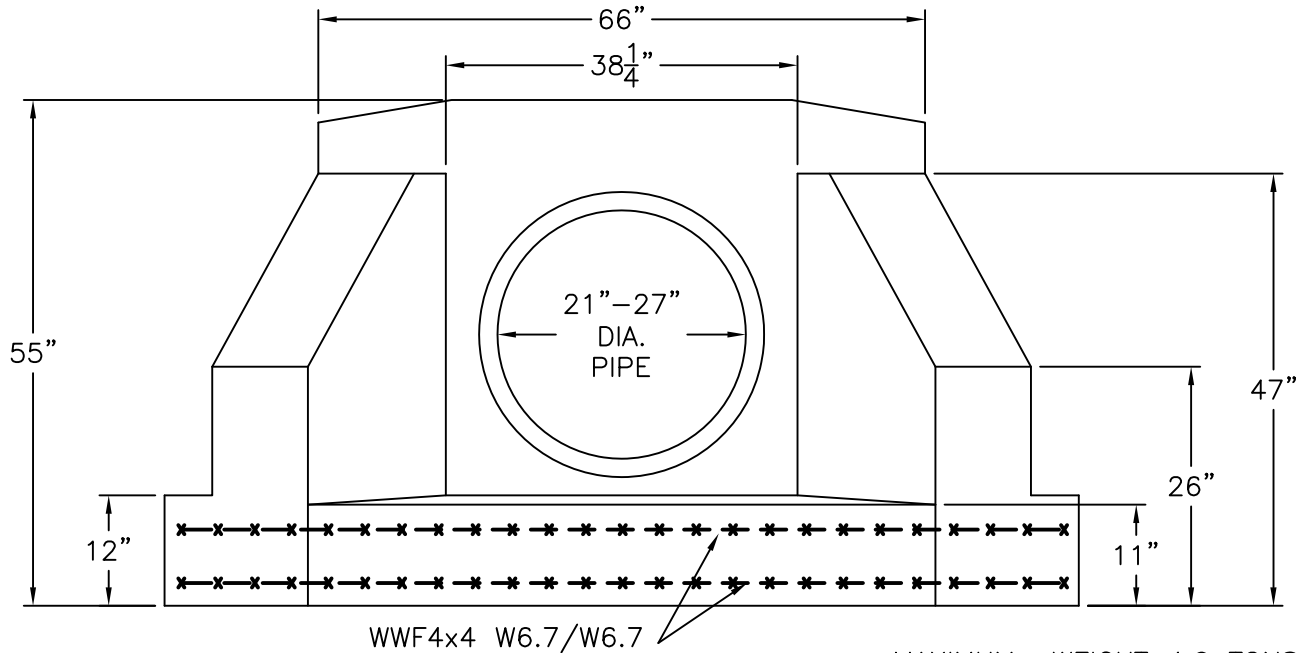
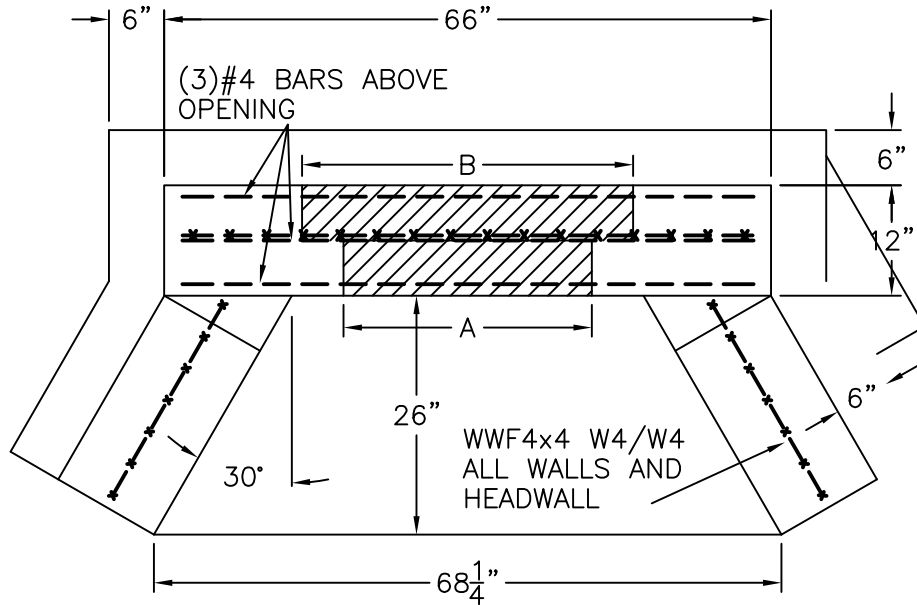
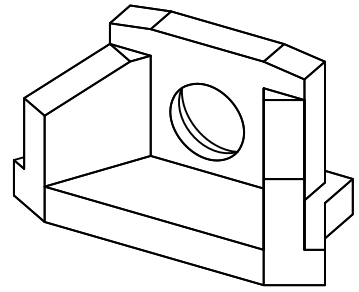


PIPE SIZE	A	B
21" ϕ	21" ϕ	28" ϕ
24" ϕ	24" ϕ	33" ϕ
27" ϕ	27" ϕ	36" ϕ



SPECIFICATIONS:

MAXIMUM WEIGHT 4.0 TONS

- MINIMUM CONCRETE STRENGTH 4000 PSI @ 28 DAYS (PENNDOT CLASS AA)
- DW ENDWALL DESIGNED AS PER PENNDOT SPECIFICATION
- EXPOSED EDGES TO HAVE 1" X 1" CHAMFER
- MATERIALS AND WORKMANSHIP IN ACCORDANCE WITH THE REQUIREMENTS OF PENNDOT PUBLICATION 408 SECTION 605 & 714
- STEEL REINFORCEMENT A615 GRADE 60 HORIZONTAL AND VERTICAL



**Continental
Concrete
Products, Inc.**
1 South Grosstown Rd.
Pottstown, PA 19464
Phone: (610) 327-3700
Fax: (610) 327-9488

**PENNDOT TYPE 'DW' ENDWALL FOR
21" ϕ , 24" ϕ & 27" ϕ PIPE**

SIGNATURE OF APPROVAL

DATE

AR

DWG

STRUCTURE

2/08/16

DW2127