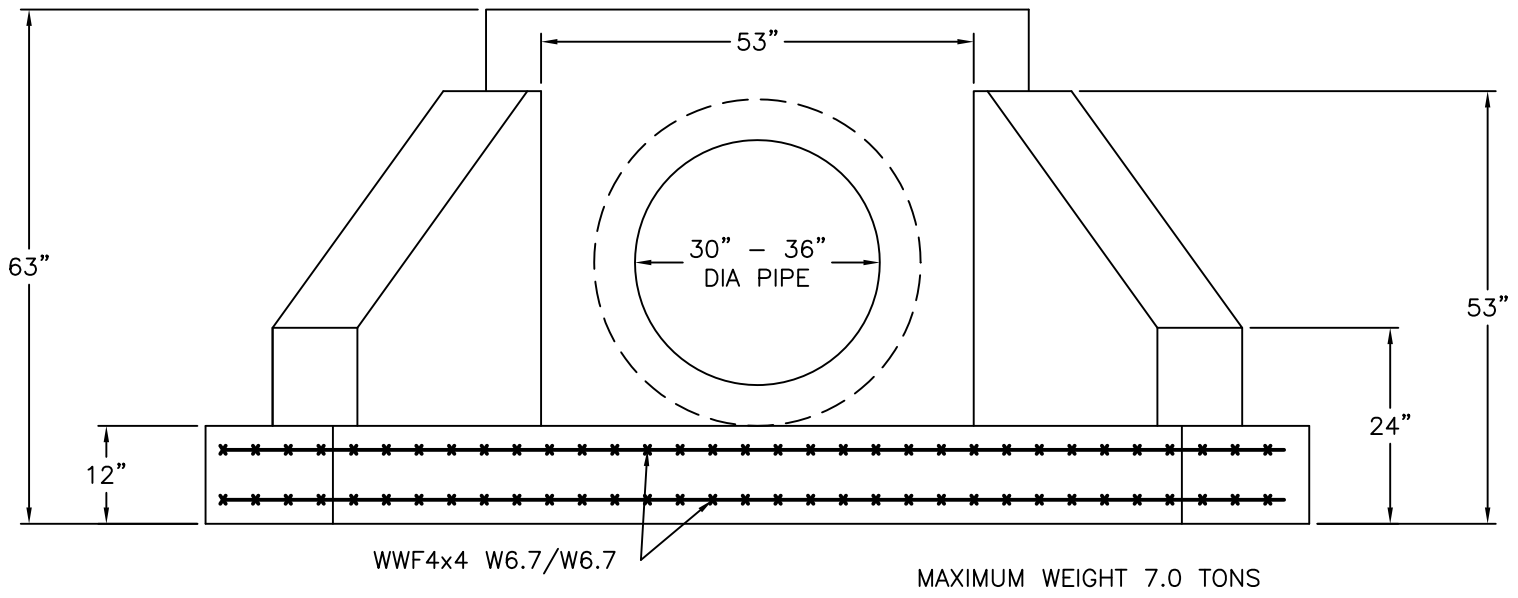
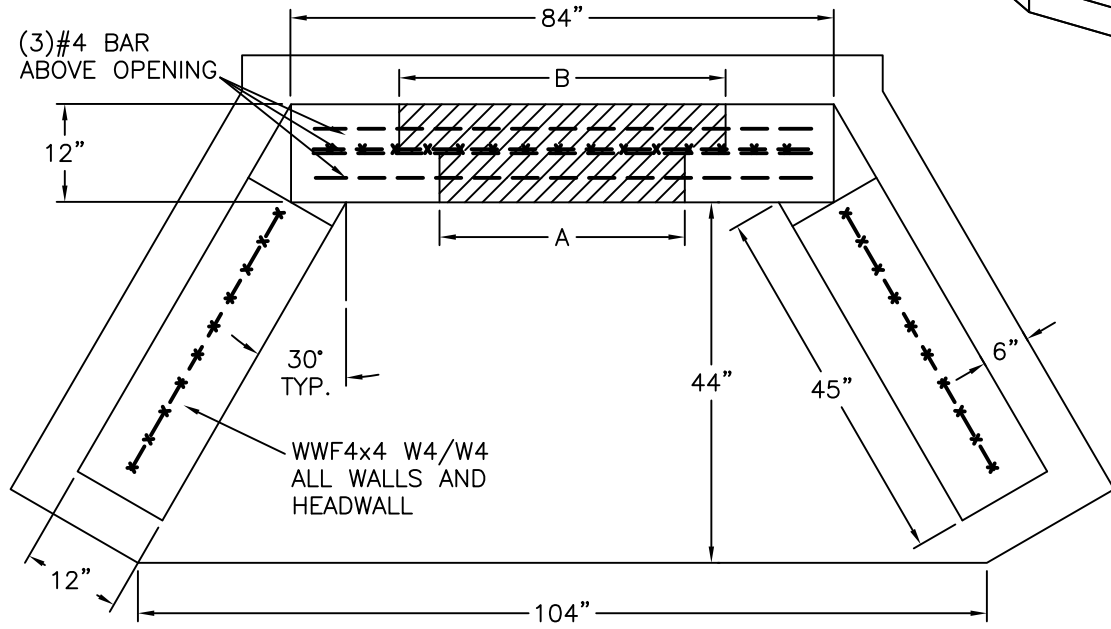
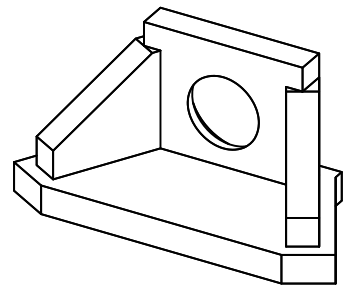


PIPE SIZE	A	B
30" ϕ	30" ϕ	40" ϕ
33" ϕ	33" ϕ	44" ϕ
36" ϕ	36" ϕ	48" ϕ



SPECIFICATIONS:

- MINIMUM CONCRETE STRENGTH 4000 PSI @ 28 DAYS (PENNDOT CLASS AA)
- DW ENDWALL DESIGNED AS PER PENNDOT SPECIFICATION
- EXPOSED EDGES TO HAVE 1" X 1" CHAMFER
- MATERIALS AND WORKMANSHIP IN ACCORDANCE WITH THE REQUIREMENTS OF PENNDOT PUBLICATION 408 SECTION 605 & 714
- STEEL REINFORCEMENT A615 GRADE 60 HORIZONTAL AND VERTICAL

**Continental
Concrete
Products, Inc.**
1 South Grosstown Rd.
Pottstown, PA 19464
Phone: (610) 327-3700
Fax: (610) 327-9488

**PENNDOT TYPE 'DW' ENDWALL FOR
30" ϕ , 33" ϕ & 36" ϕ PIPE**

<u>SIGNATURE OF APPROVAL</u>	<u>DATE</u>	<u>AR</u>	<u>DWG</u>	<u>STRUCTURE</u>
	2/08/16		DW3036	