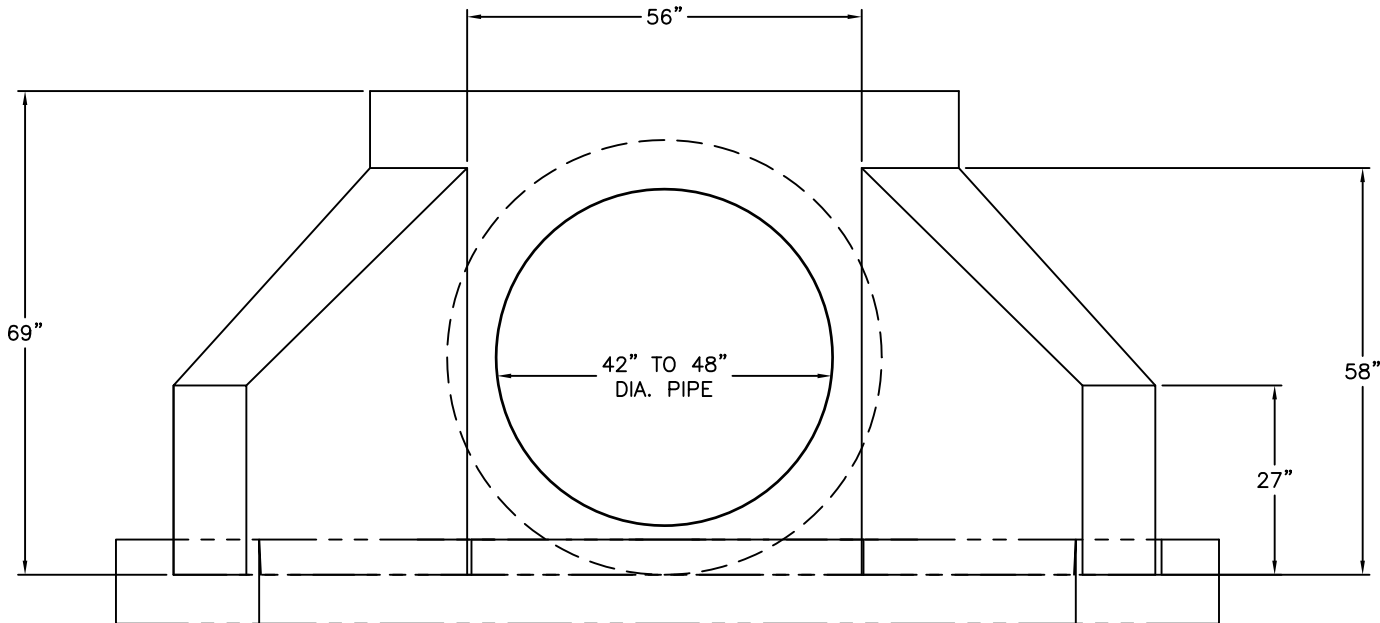
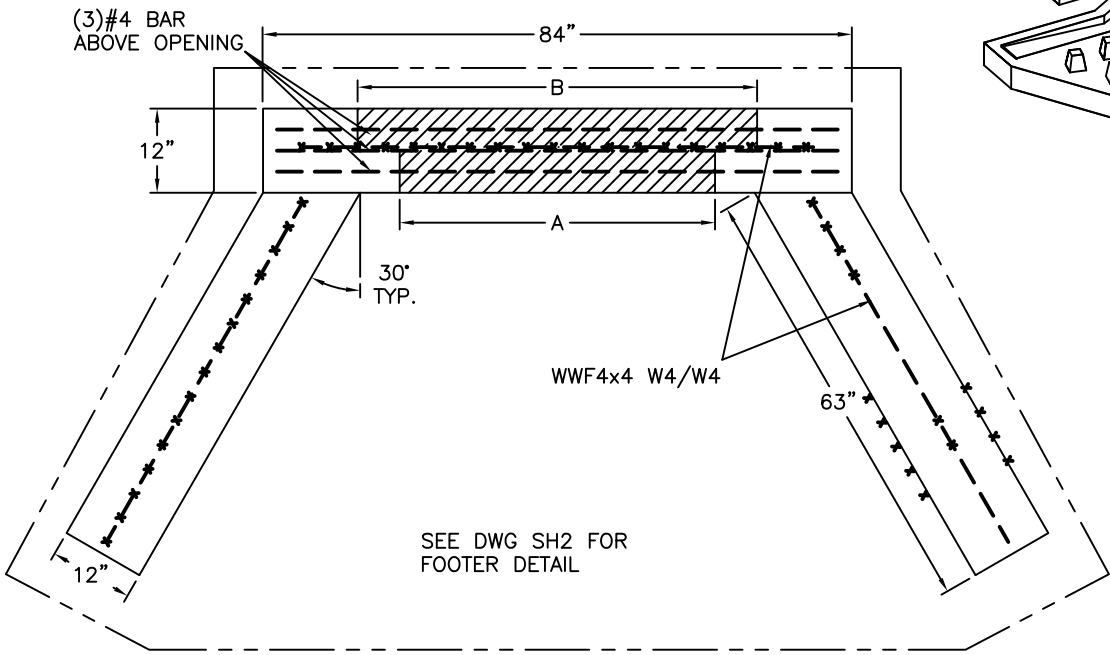
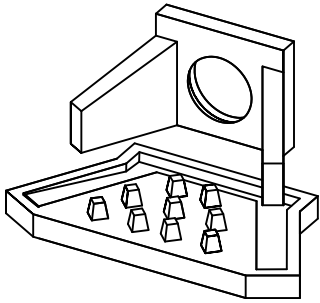


PIPE SIZE	A	B
42" ϕ	42" ϕ	55" ϕ
48" ϕ	48" ϕ	62" ϕ



MAXIMUM WEIGHT 5 TONS

SPECIFICATIONS:

- MINIMUM CONCRETE STRENGTH 4000 PSI @ 28 DAYS (PENNDOT CLASS AA)
- DW ENDWALL DESIGNED AS PER PENNDOT SPECIFICATION
- EXPOSED EDGES TO HAVE 1" X 1" CHAMFER
- MATERIALS AND WORKMANSHIP IN ACCORDANCE WITH THE REQUIREMENTS OF PENNDOT PUBLICATION 408 SECTION 605 & 714
- STEEL REINFORCEMENT A615 GRADE 60 HORIZONTAL AND VERTICAL

**Continental
Concrete
Products, Inc.**
1 South Grosstown Rd.
Pottstown, PA 19464
Phone: (610) 327-3700
Fax: (610) 327-9488

**PENNDOT TYPE 'DW' ENDWALL FOR
42" ϕ & 48" ϕ PIPE**

SIGNATURE OF APPROVAL	DATE	AR	DWG	STRUCTURE
	2/08/16		DW4248 SH1of2	