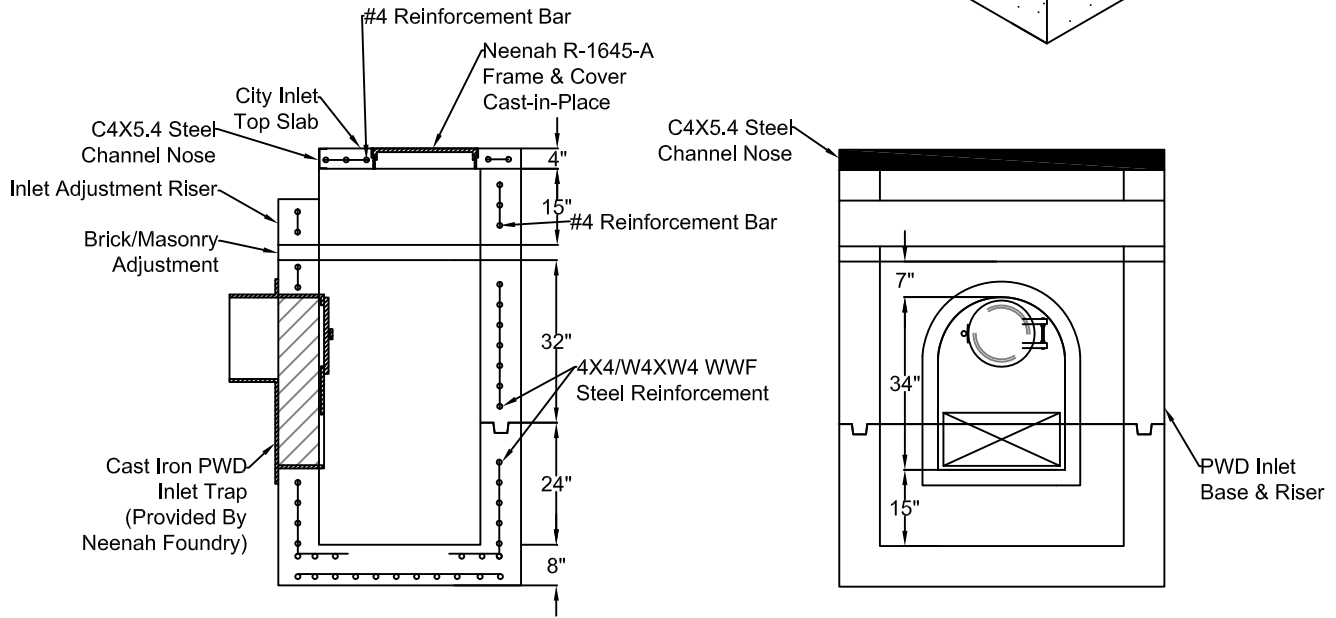
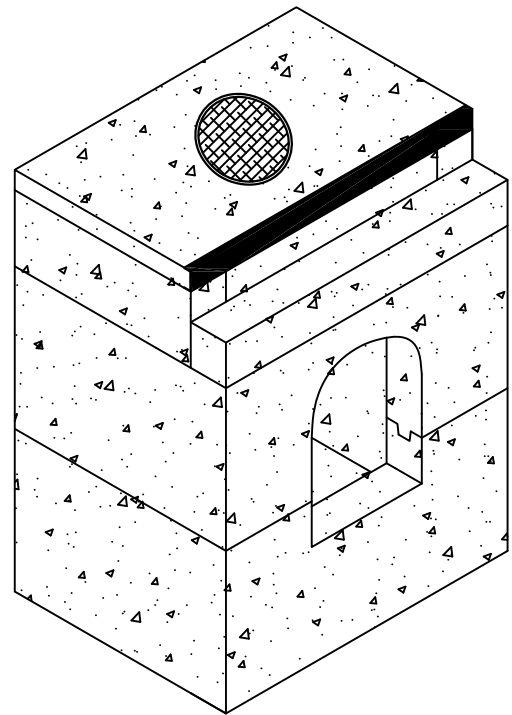


PLAN



SECTION B-B

SECTION A-A

SPECIFICATIONS:

MINIMUM CONCRETE STRENGTH 4000 PSI @ 28 DAYS
 MATERIALS AND WORKMANSHIP IN ACCORDANCE WITH THE REQUIREMENTS
 OF PWD STANDARDS DETAILS AND STANDARD SPECIFICATIONS FOR SEWERS 1985
 STEEL REINFORCEMENT A615 GRADE 60 HORIZONTAL AND VERTICAL

**Continental
Concrete
Products, Inc.**
 1 South Grosstown Rd.
 Pottstown, PA 19464
 Phone: (610) 327-3700
 Fax: (610) 327-9488

PWD 4' & 6' OPEN MOUTH (CITY) INLETS

SIGNATURE OF APPROVAL

DATE | AR | DWG

STRUCTURE

2/08/16

PWDOMI