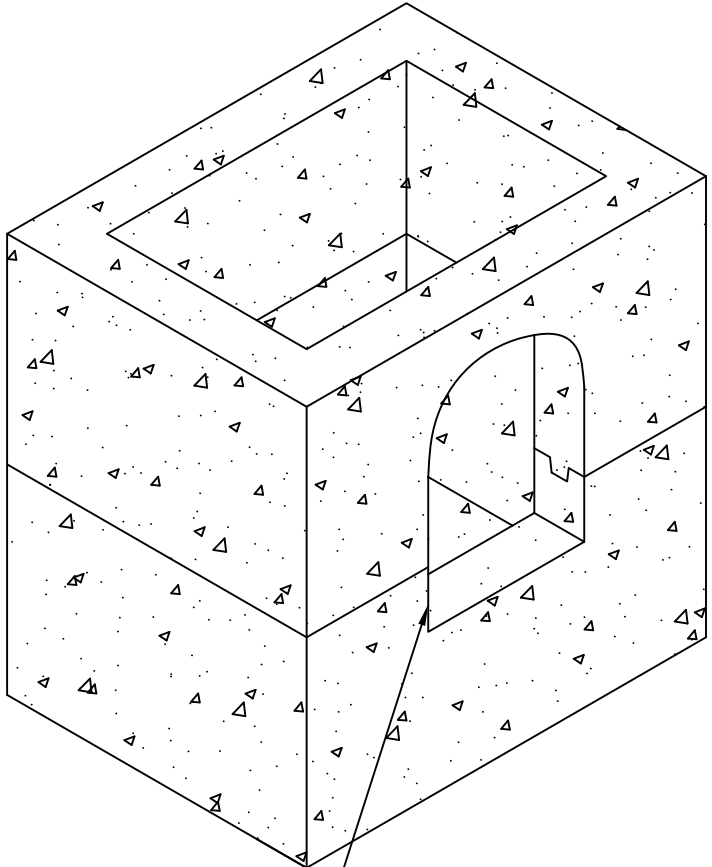
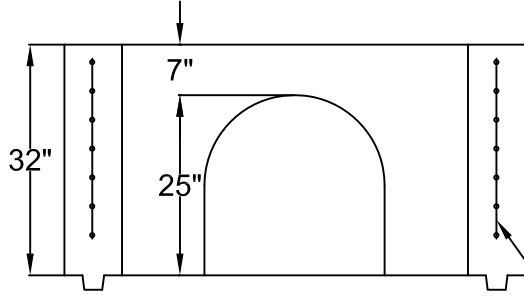


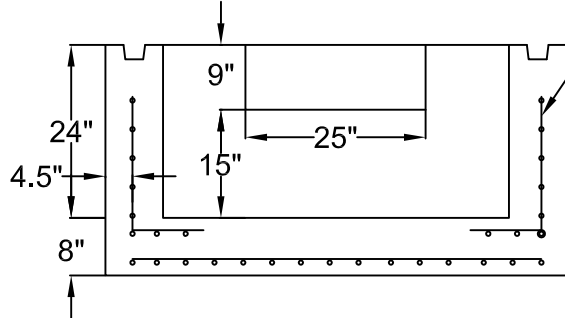
PLAN



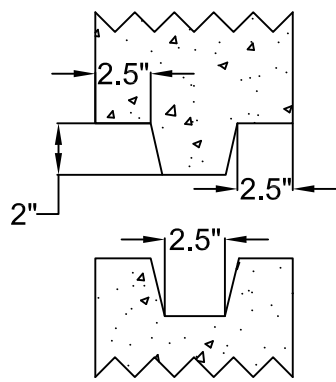
Trap Opening dimensions are 1 inch larger than actual trap dimensions.  
Trap may be placed in any wall as required.



4X4/W4XW4 WWF Steel Reinforcement



SECTION



JOINT DETAIL

**SPECIFICATIONS:**

MINIMUM CONCRETE STRENGTH 4000 PSI @ 28 DAYS  
 MATERIALS AND WORKMANSHIP IN ACCORDANCE WITH THE REQUIREMENTS  
 OF PWD STANDARDS DETAILS AND STANDARD SPECIFICATIONS FOR SEWERS 1985  
 STEEL REINFORCEMENT A615 GRADE 60 HORIZONTAL AND VERTICAL

**Continental  
Concrete  
Products, Inc.**  
 1 South Grosstown Rd.  
 Pottstown, PA 19464  
 Phone: (610) 327-3700  
 Fax: (610) 327-9488

**PWD INLET BASE & RISER SECTION**

SIGNATURE OF APPROVAL	DATE	AR	DWG	STRUCTURE
	2/08/16		PWDIB	