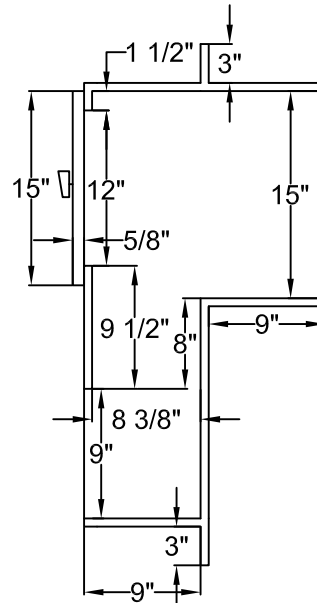
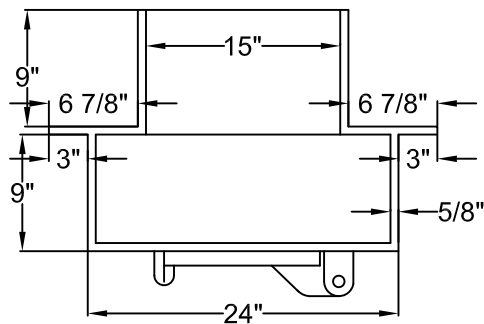


PLAN



SECTION
B-B



SECTION
A-A

SPECIFICATIONS:

TRAP & DOOR ARE ASTM A48 CLASS 35B GRAY IRON.
 APPURTENANT MATERIALS ARE EITHER BRASS OR
 STAINLESS STEEL TYPE 304.



**Continental
 Concrete
 Products, Inc.**
 1 South Grosstown Rd.
 Pottstown, PA 19464
 Phone: (610) 327-3700
 Fax: (610) 327-9488

**PWD OPEN MOUTH INLET TRAP
 FOR 15" DIA. PIPE**

SIGNATURE OF APPROVAL

DATE

AR

DWG

STRUCTURE

2/08/16

PWDTRAP