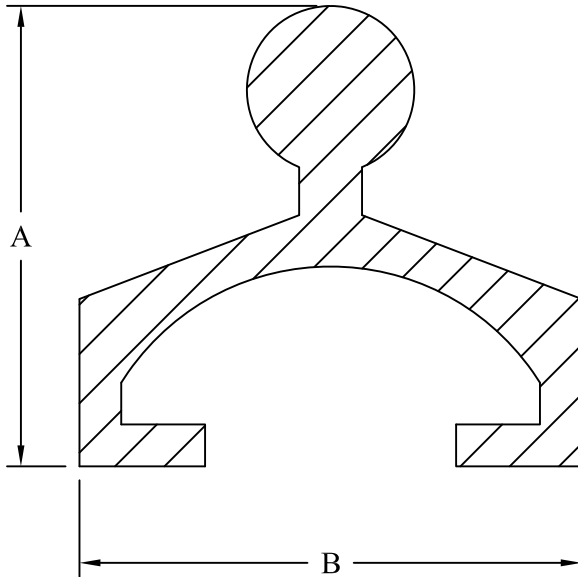
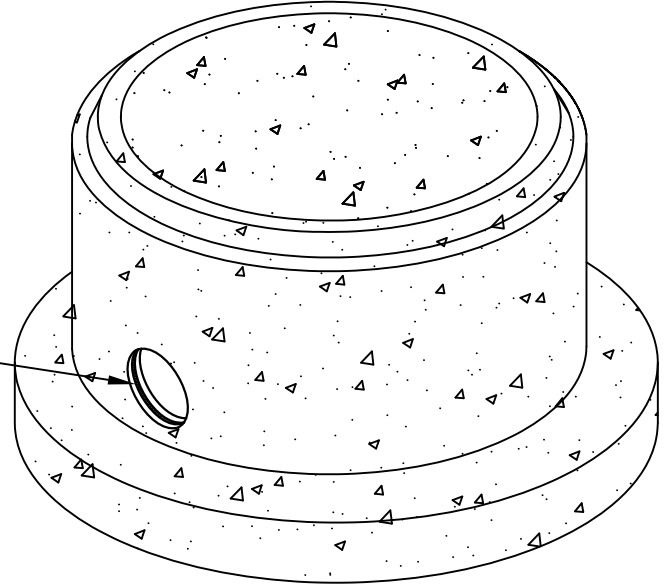


	A	B	PIPE SIZE
4A6	1.375"	1.50"	4" & 6"
8T15	1.875"	2.125"	8" - 15"
15AA	2.75"	3.00"	≥18"

Star Seal™ Gasket



Key Advantages

- Can be used with all wastewater and sanitary sewer applications
- Provides a primary and secondary sealing function
- Fast and easy installation
- Up to 20 degrees of omnidirectional deflection
- 20 degree tapered holding ring assures easy strip-out
- Compensates for movement of pipe underground after backfilling is complete

The **Star Seal™ Compression Gasket** produces a watertight seal between pipes entering a precast concrete structure. The **Star Seal™ Gasket** is installed during the concrete pouring process and becomes an integral component of the concrete structure without requiring any coring or placement after the base component is cast. When the pipe is inserted, the gasket is compressed which provides both a primary and secondary sealing function.

Designed to meet or exceed all requirements outlined in ASTM C-923 and C-1478, the **Star Seal™ Gasket** can be used in all stormwater and wastewater applications including manholes, pump and lift stations, wet wells, treatment plants, septic tanks and more.

Occasionally during installation or after extended usage, even if ASTM standards have been met under the prescribed test conditions, the pipe could become out-of-round, shift within the opening, or bottom out due to backfilling, ground settlements, overhead traffic and similar transverse loads on the pipe. The **Star Seal™ Gasket** provides accommodations by providing a primary seal at the narrowest clearance between the pipe and the connector wall while offering a secondary sealing function on the opposite side where the annular space widens, allowing the gasket to relax thereby strengthening the watertight seal.

MANUFACTURED BY VERTEX INC.

STAR SEAL™ COMPRESSION GASKET

**Continental
Concrete
Products, Inc.**
1 South Grosstown Rd.
Pottstown, PA 19464
Phone: (610) 327-3700
Fax: (610) 327-9488

SIGNATURE OF APPROVAL

DATE

AR

DWG

STRUCTURE

2/08/16

SSCC