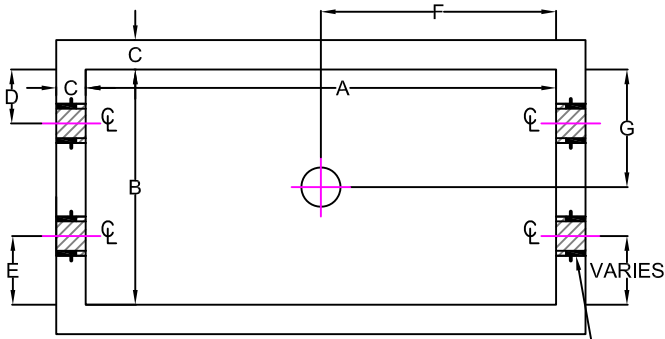
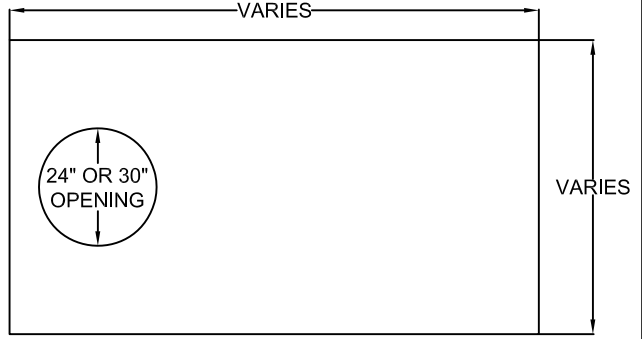


PIPE OPENINGS TO BE SIZED AND LOCATED AS REQUIRED BY FIELD CONDITIONS.

DIMENSION	DIMENSION (AS REQUIRED)
A	
B	
C	
D	
E	
F	
G	

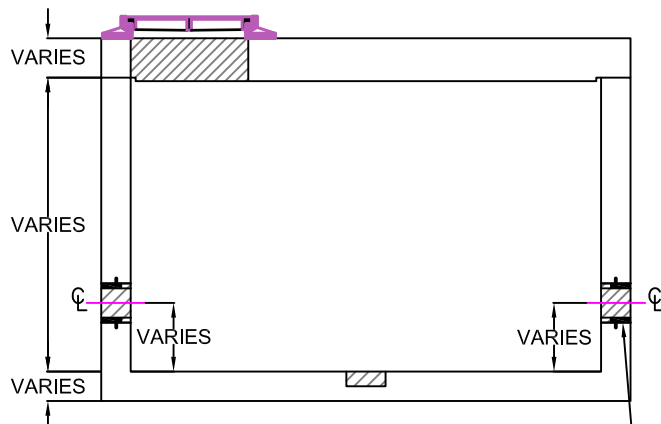


PLAN



LID DETAIL

SEAL & SLEEVE (AS REQUIRED)



SECTION

SEAL & SLEEVE (AS REQUIRED)

ADDITIONAL INFORMATION:

FIRE LINE SIZE: ____"Ø ____ HIGH PRESSURE ____ LOW PRESSURE
 DOMESTIC LINE SIZE: ____"Ø ____ HIGH PRESSURE ____ LOW PRESSURE
 INTERNAL BYPASS: YES / NO SIZE ____"Ø
 EXTERNAL BYPASS: YES / NO SIZE ____"Ø
 FIRE DEPARTMENT CONNECTION TYPE: _____
 FIRE DEPARTMENT CONNECTION SIZE: ____"Ø
 BACK FLOW PREVENTOR: YES / NO ____ W/O METER ____ W/ METER
 METER SIZE: ____"Ø
 METER LENGTH: _____
 WATER AUTHORITY: _____

SPECIFICATIONS:

MINIMUM CONCRETE STRENGTH 4000 PSI @ 28 DAYS (PENNDOT CLASS AA)
 MATERIALS AND WORKMANSHIP IN ACCORDANCE WITH THE REQUIREMENTS
 OF PENNDOT PUBLICATION 408 SECTION 605 & 714
 STEEL REINFORCEMENT A615 GRADE 60 HORIZONTAL AND VERTICAL

**Continental
Concrete
Products, Inc.**
 1 South Grosstown Rd.
 Pottstown, PA 19464
 Phone: (610) 327-3700
 Fax: (610) 327-9488

WATER METER PIT

SIGNATURE OF APPROVAL	DATE	IAR	DWG	STRUCTURE
	2/08/16		WMP	