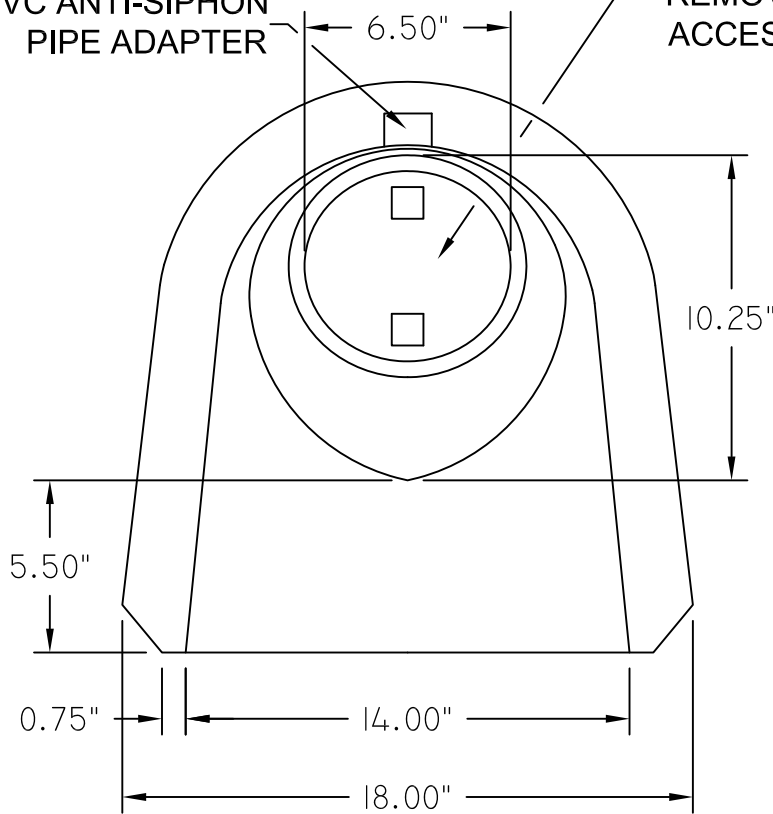
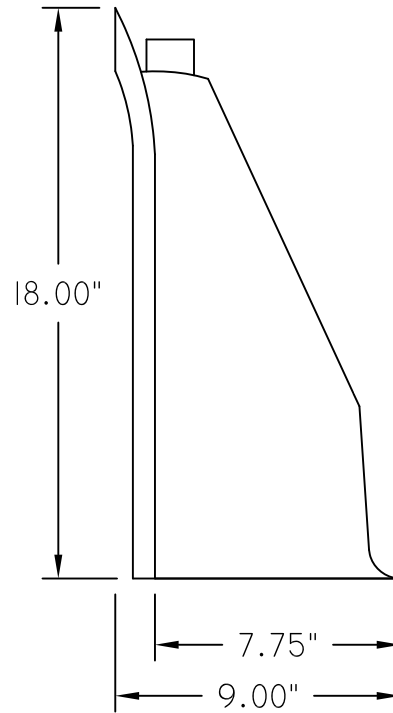


1" PVC ANTI-SIPHON
PIPE ADAPTER

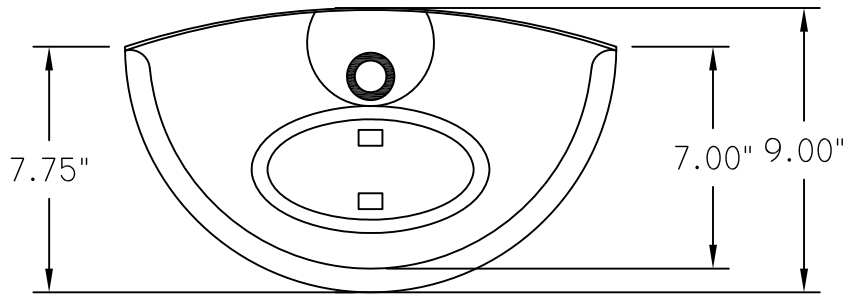
REMOVABLE WATERTIGHT
ACCESS PORT, 6" OPENING



FRONT



SIDE



PLAN

DESIGNED TO FIT
36"-48" DIAM.
STRUCTURES

*AS MANUFACTURED BY BMP, INC., LYME, CT.



**Continental
Concrete
Products, Inc.**

1 South Grosstown Rd.
Pottstown, PA 19464
Phone: (610) 327-3700
Fax: (610) 327-9488

12R SNOUT OIL & DEBRIS STOP
(USED FOR ≤ 10 " PIPE)

SIGNATURE OF APPROVAL

DATE

AR

DWG

STRUCTURE

2/08/16

12R