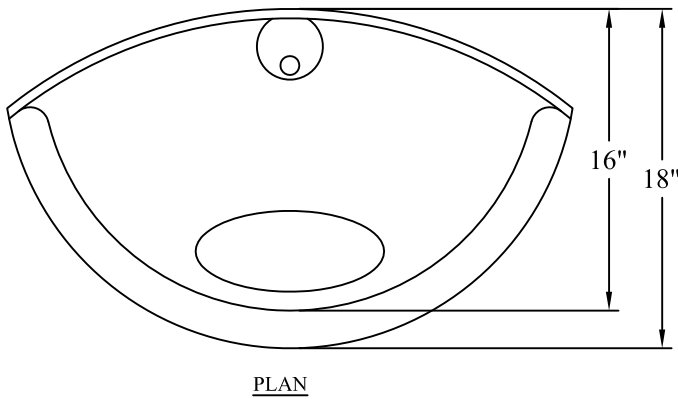
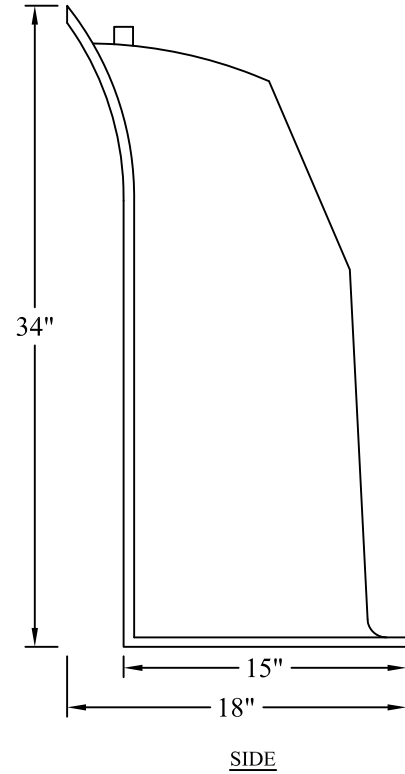
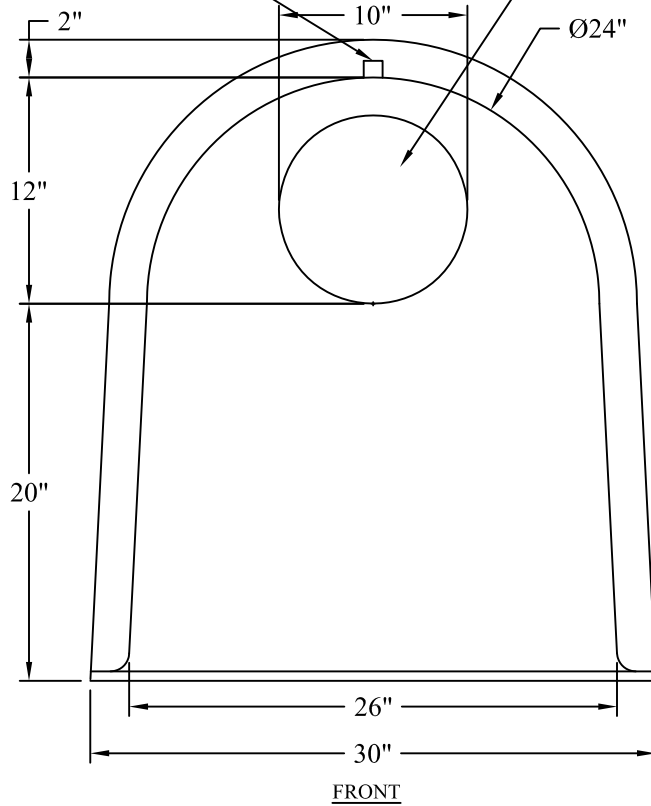


1" PVC ANTI-SIPHON
PIPE ADAPTER

REMOVABLE WATERTIGHT ACCESS
PORT, 10" OPENING



DESIGNED TO FIT
48"-60" DIAM.
STRUCTURES

*AS MANUFACTURED BY BMP, INC., LYME, CT.



**Continental
Concrete
Products, Inc.**
1 South Grosstown Rd.
Pottstown, PA 19464
Phone: (610) 327-3700
Fax: (610) 327-9488

24R SNOUT OIL & DEBRIS STOP
(USED FOR 18" PIPE)

SIGNATURE OF APPROVAL

DATE

AR

DWG

STRUCTURE

2/08/16

24R