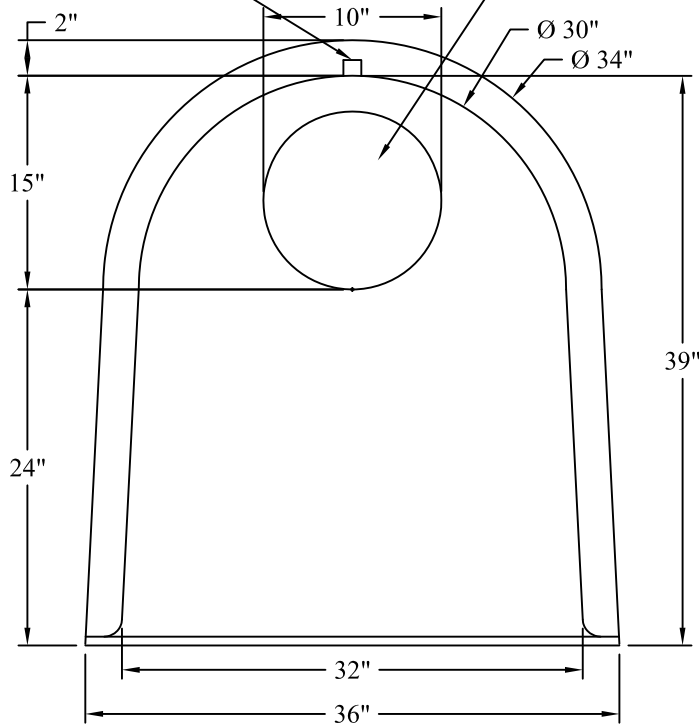
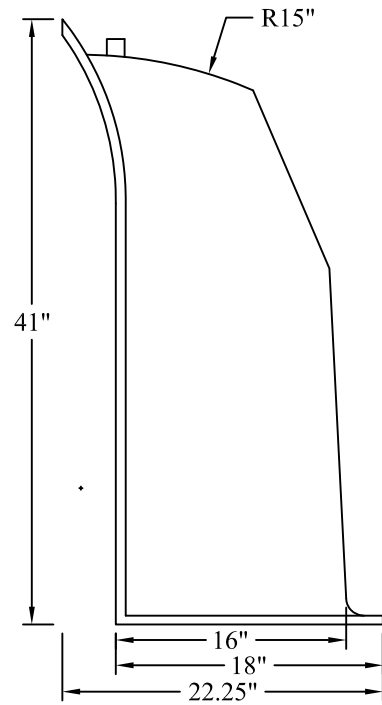


1" PVC ANTI-SIPHON
PIPE ADAPTER

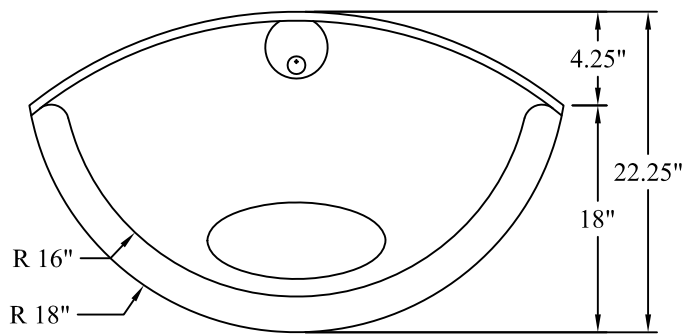
REMOVABLE WATERTIGHT ACCESS
PORT, 10" OPENING



FRONT



SIDE



PLAN

DESIGNED TO FIT
60"-72" DIAM.
STRUCTURES

*AS MANUFACTURED BY BMP, INC., LYME, CT.



**Continental
Concrete
Products, Inc.**

1 South Grosstown Rd.
Pottstown, PA 19464
Phone: (610) 327-3700
Fax: (610) 327-9488

30R SNOUT OIL & DEBRIS STOP
(USED FOR 21" & 24" PIPE)

SIGNATURE OF APPROVAL

DATE

VAR

DWG

STRUCTURE

2/08/16

30R