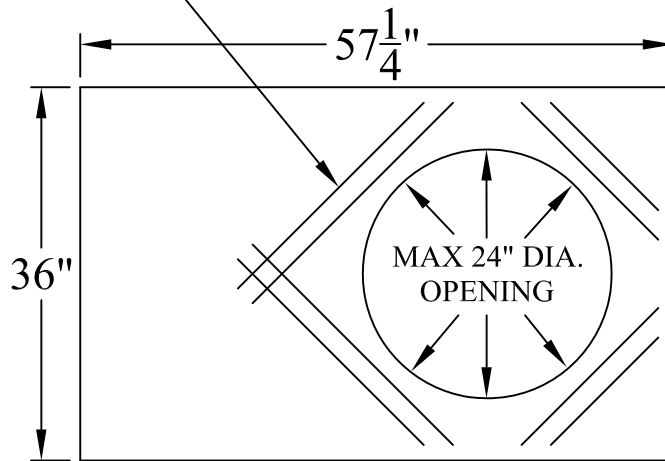


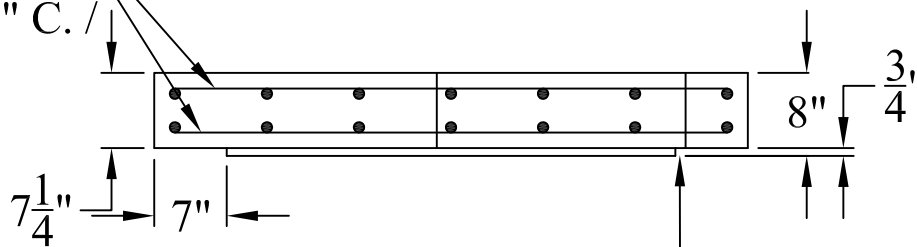
EXTRA
#4 REBAR
T. & B. MATT



ALSO AVAILABLE AS A
SOLID CAP (NO OPENINGS)

DOUBLE MAT
GRADE 60 #4
REBAR @ 8" C. /
C. E.W.

CONVERSION LID TO
FRAME AND COVER



7" X 3/4" DAP AROUND
ENTIRE PERIMETER

SPECIFICATIONS:

MINIMUM CONCRETE STRENGTH 4000 PSI @ 28 DAYS (PENNDOT CLASS AA)
MATERIALS AND WORKMANSHIP IN ACCORDANCE WITH THE REQUIREMENTS
OF PENNDOT PUBLICATION 408 SECTION 605 & 714
STEEL REINFORCEMENT A615 GRADE 60 HORIZONTAL AND VERTICAL



**Continental
Concrete
Products, Inc.**
1 South Grosstown Rd.
Pottstown, PA 19464
Phone: (610) 327-3700
Fax: (610) 327-9488

**PENNDOT STANDARD INLET
CONVERSION LID w/ MAX. 24" DIA.
MANHOLE FRAME & COVER**

SIGNATURE OF APPROVAL

DATE

AR

DWG

STRUCTURE

2/08/16

2X4-MHCV