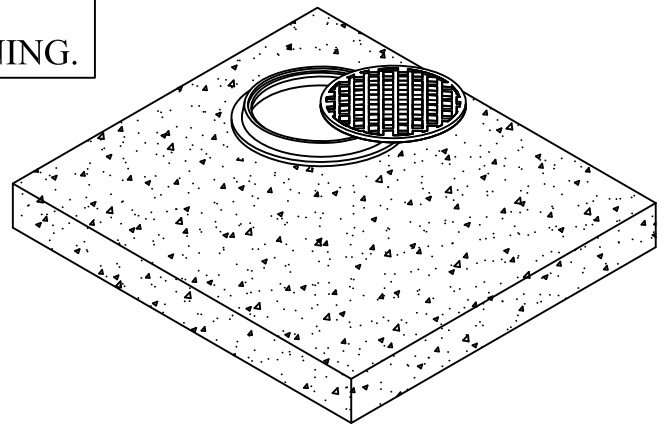
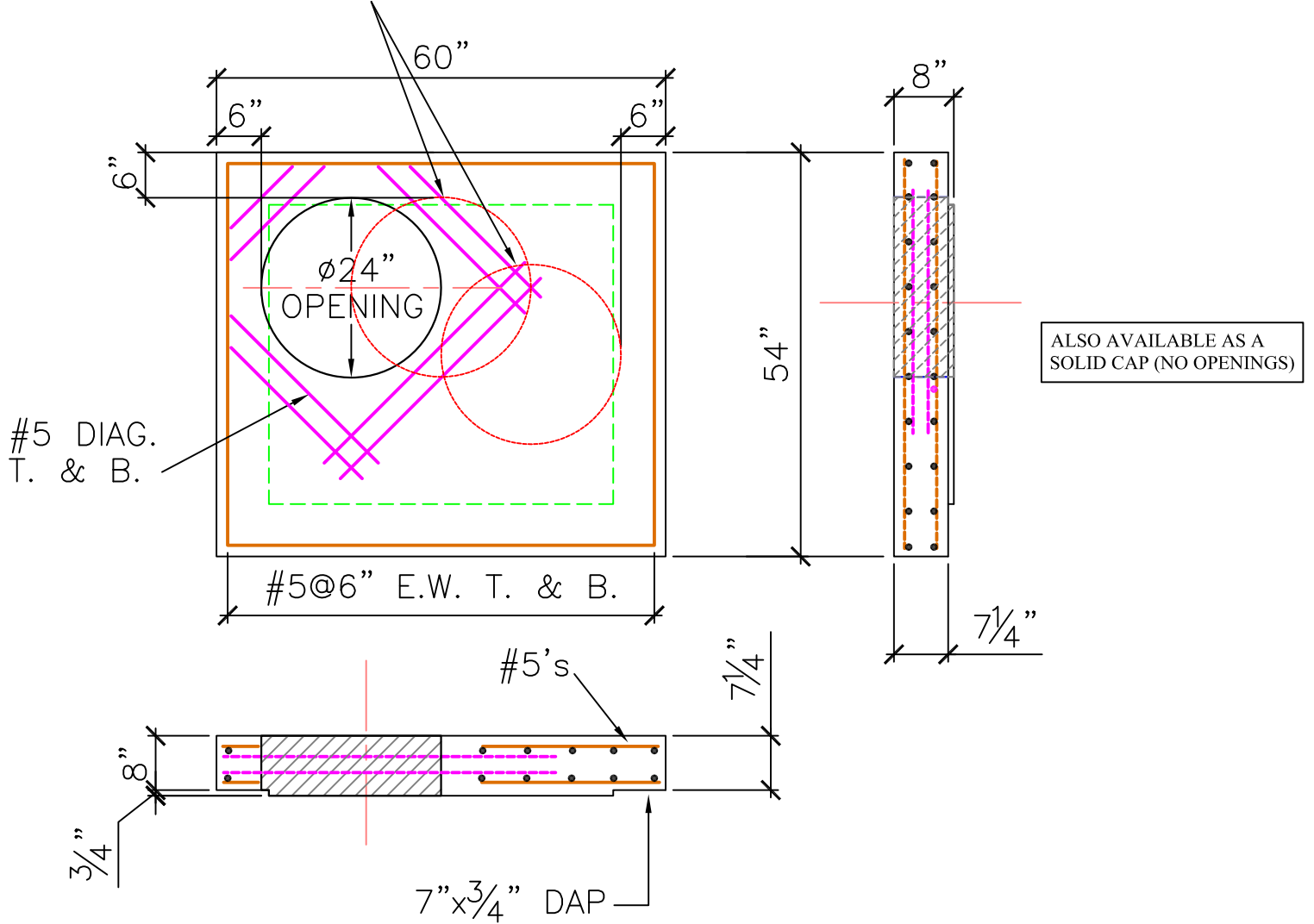


NOTE: 24" DIA. MANHOLE OPENING SHOWN.
 AVAILABLE WITH UP TO 36" DIA. MANHOLE OPENING.



OPTIONAL MANHOLE OPENING LOCATIONS



SPECIFICATIONS:

MINIMUM CONCRETE STRENGTH 4000 PSI @ 28 DAYS (PENNDOT CLASS AA)
 MATERIALS AND WORKMANSHIP IN ACCORDANCE WITH THE REQUIREMENTS
 OF PENNDOT PUBLICATION 408 SECTION 605 & 714
 STEEL REINFORCEMENT A615 GRADE 60 HORIZONTAL AND VERTICAL

**Continental
 Concrete
 Products, Inc.**
 1 South Grosstown Rd.
 Pottstown, PA 19464
 Phone: (610) 327-3700
 Fax: (610) 327-9488

42" X 48" INLET
 CONVERSION LID w/ MAX. 36" DIA.
 MANHOLE FRAME & COVER

SIGNATURE OF APPROVAL

DATE IAR DWG

STRUCTURE

2/08/16

42X48-MHCV