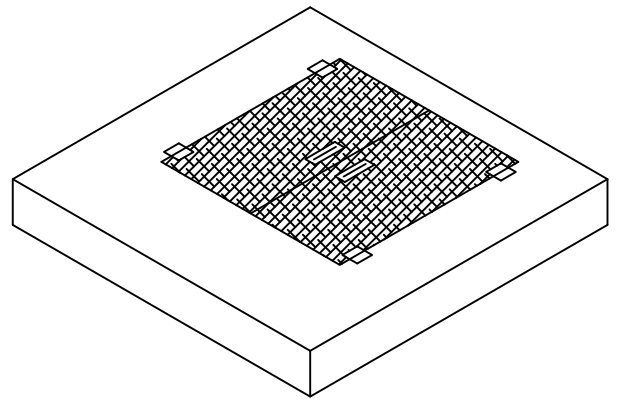
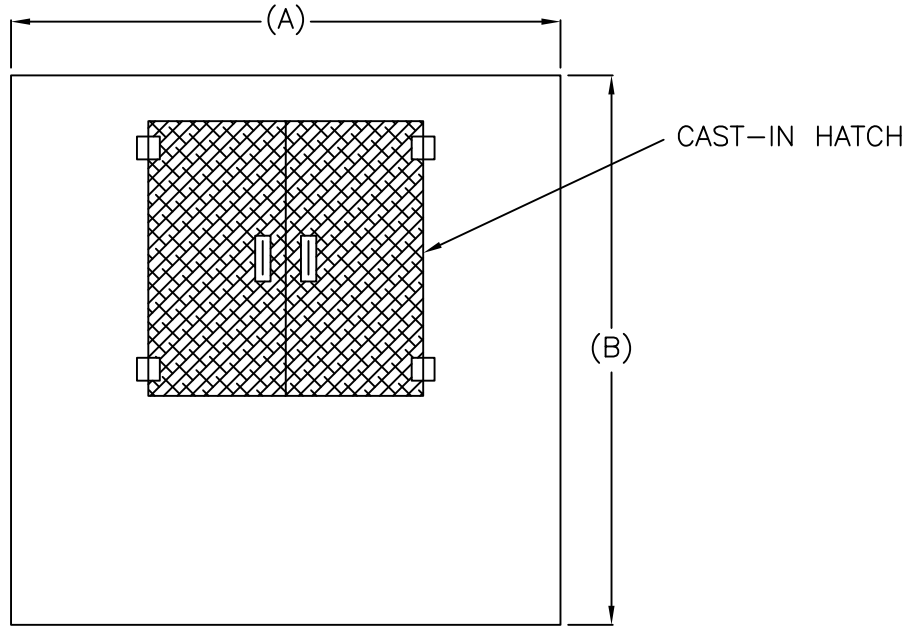


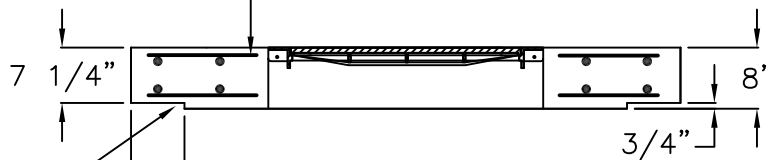
BOX SIZE	(A)	(B)
48"x48" ID TYPE 4	60"	60"
60"x60" ID TYPE 5	72"	72"
72"x72" ID TYPE 6	84"	84"
72"x72" ID W/8" WALL	88"	88"



CAST-IN HATCH  
VARIES IN  
DIMENSIONS, STYLE  
AND LOCATION AS  
REQUIRED BY FIELD  
CONDITIONS AND  
SPECIFICATONS



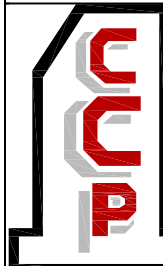
#5 REBAR AS SHOWN



3/4" X 7" DAP AROUND  
ENTIRE PERIMETER OF LID

**SPECIFICATIONS:**

MINIMUM CONCRETE STRENGTH 4000 PSI @ 28 DAYS (PENNDOT CLASS AA)  
MATERIALS AND WORKMANSHIP IN ACCORDANCE WITH THE REQUIREMENTS  
OF PENNDOT PUBLICATION 408 SECTION 605 & 714  
STEEL REINFORCEMENT A615 GRADE 60 HORIZONTAL AND VERTICAL



**Continental  
Concrete  
Products, Inc.**  
1 South Grosstown Rd.  
Pottstown, PA 19464  
Phone: (610) 327-3700  
Fax: (610) 327-9488

48" X 48", 60" X 60" & 72" X 72" INLET  
CONVERSION LID w/ HATCH DOOR  
(AS REQUIRED)

SIGNATURE OF APPROVAL

DATE

AR

DWG

STRUCTURE

2/08/16

48x48/72x72-HDCV