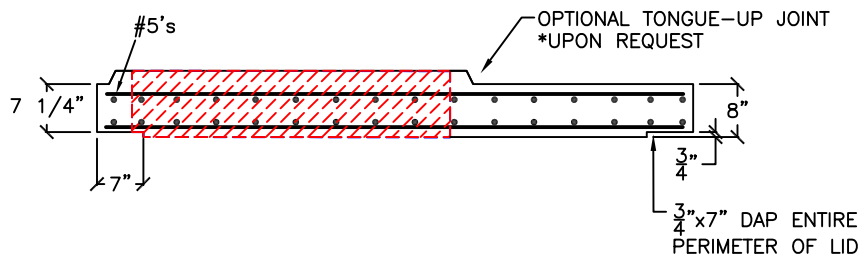
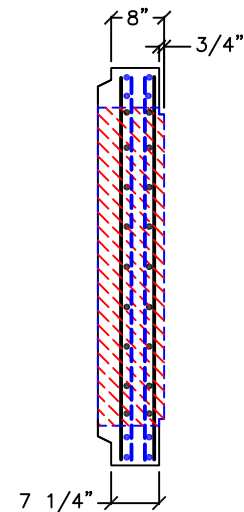
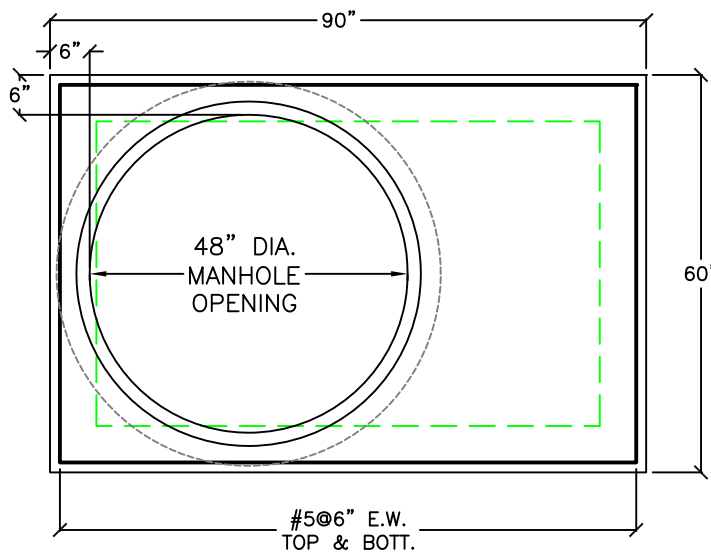
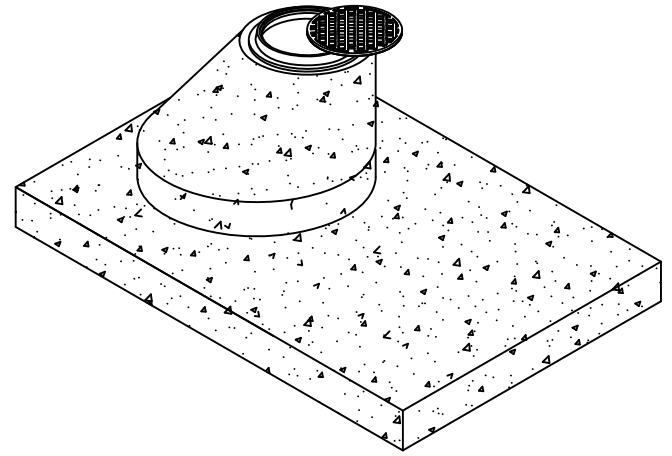


48" DIAMETER MANHOLE OPENING TO BE LOCATED AS REQUIRED BY FIELD CONDITIONS



SPECIFICATIONS:

MINIMUM CONCRETE STRENGTH 4000 PSI @ 28 DAYS (PENNDOT CLASS AA)
 MATERIALS AND WORKMANSHIP IN ACCORDANCE WITH THE REQUIREMENTS
 OF PENNDOT PUBLICATION 408 SECTION 605 & 714
 STEEL REINFORCEMENT A615 GRADE 60 HORIZONTAL AND VERTICAL

**Continental
Concrete
Products, Inc.**
 1 South Grosstown Rd.
 Pottstown, PA 19464
 Phone: (610) 327-3700
 Fax: (610) 327-9488

48" X 78" INLET
 CONVERSION LID w/ 48" DIA.
 MANHOLE OPENING

<u>SIGNATURE OF APPROVAL</u>	<u>DATE</u>	<u>AR</u>	<u>DWG</u>	<u>STRUCTURE</u>
	2/08/16		48x78-48MHCV	