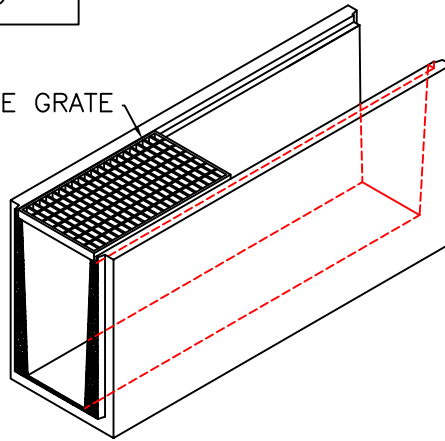
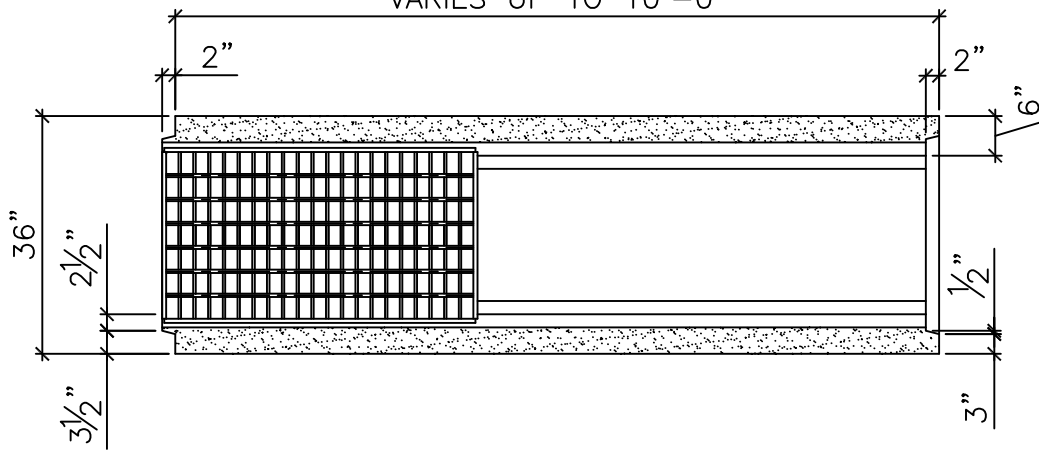


NOTE: TRENCH DRAIN ENDS TO BE CAPPED-OFF SOLID OR HAVE A PIPE OPENING IF REQUIRED

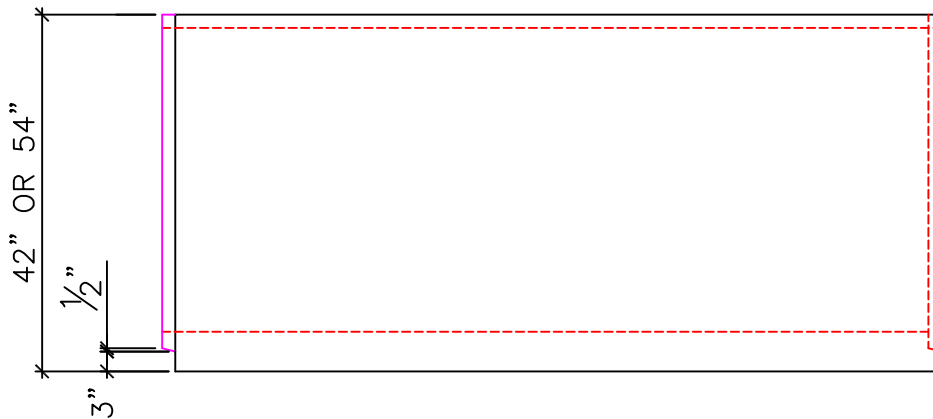
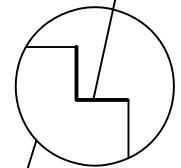
STANDARD BICYCLE-SAFE GRATE



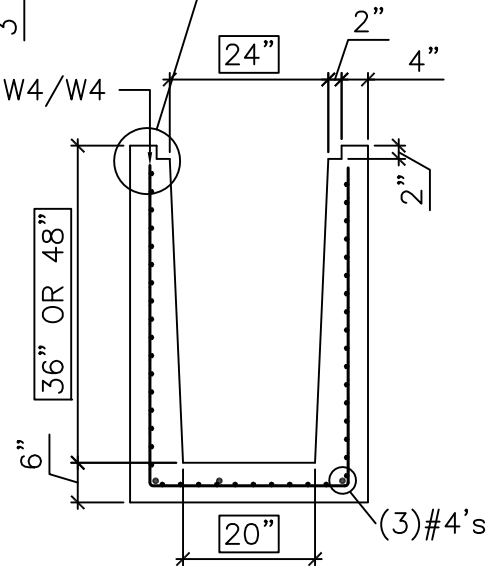
VARIES UP TO 10'-0"



STEEL ANGLE EMBED

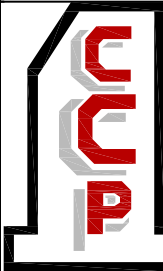


WWF4x4 W4/W4



SPECIFICATIONS:

MINIMUM CONCRETE STRENGTH 4000 PSI @ 28 DAYS (PENNDOT CLASS AA)
 MATERIALS AND WORKMANSHIP IN ACCORDANCE WITH THE REQUIREMENTS
 OF PENNDOT PUBLICATION 408 SECTION 605 & 714
 STEEL REINFORCEMENT A615 GRADE 60 HORIZONTAL AND VERTICAL



**Continental
 Concrete
 Products, Inc.**
 1 South Grosstown Rd.
 Pottstown, PA 19464
 Phone: (610) 327-3700
 Fax: (610) 327-9488

24" WIDE X 36" HIGH/48" HIGH
 TRENCH DRAIN

SIGNATURE OF APPROVAL

DATE

AR

DWG

STRUCTURE

2/08/16

24x36-24x48TD