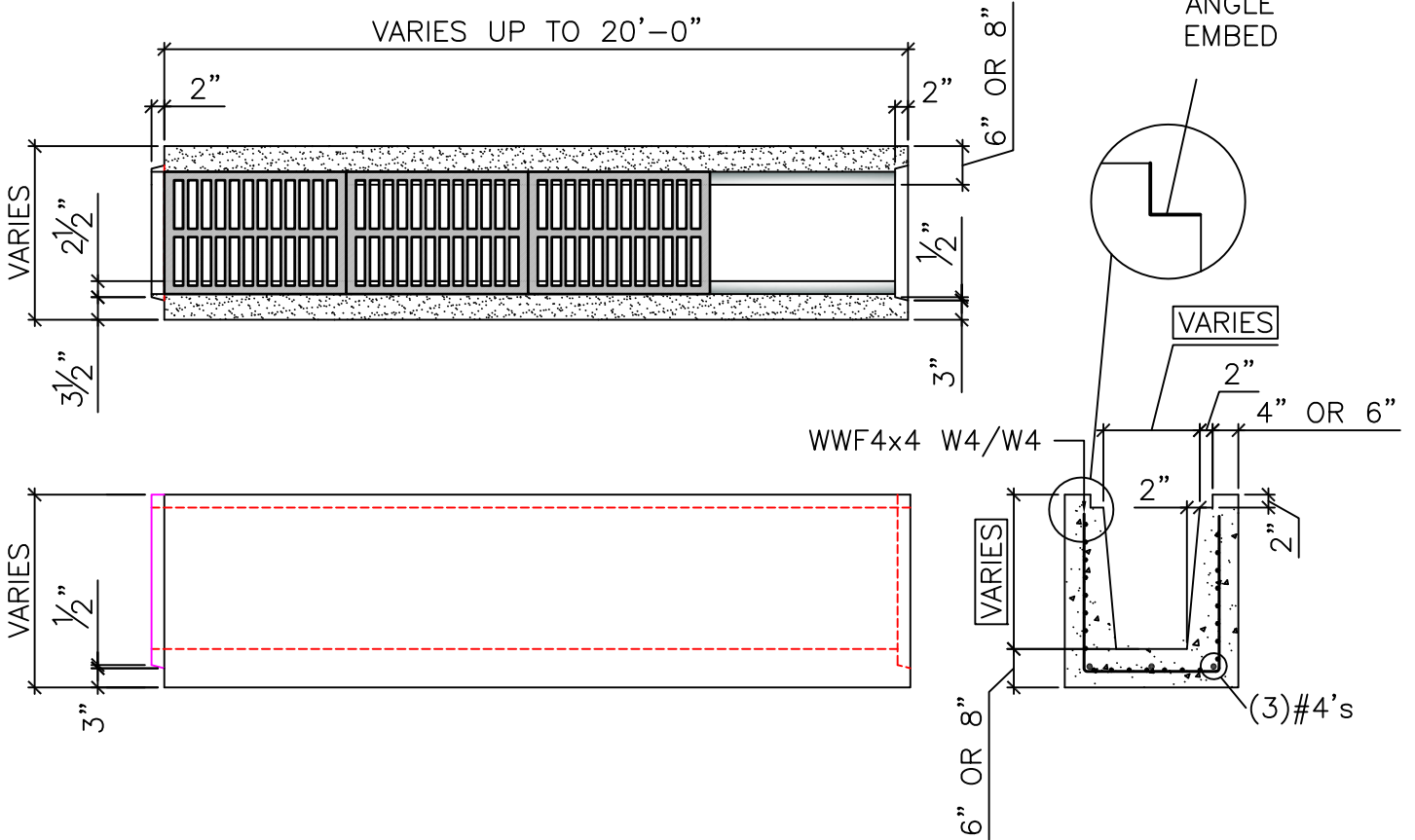
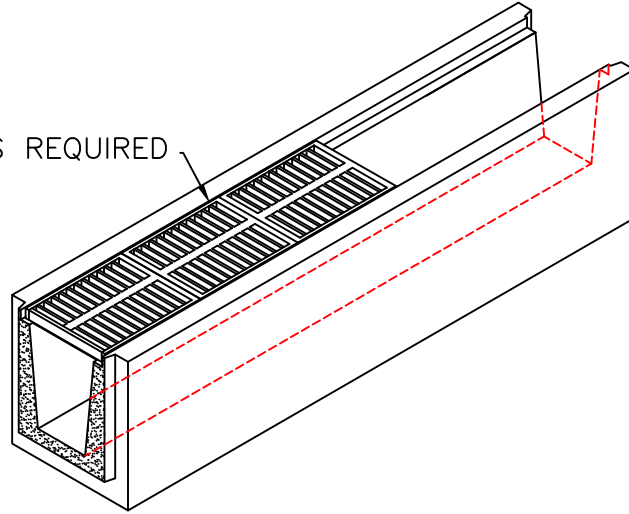


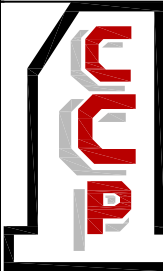
NOTE: TRENCH DRAIN ENDS TO BE CAPPED-OFF SOLID OR HAVE A PIPE OPENING IF REQUIRED

CAST-IRON GRATES AS REQUIRED



**SPECIFICATIONS:**

MINIMUM CONCRETE STRENGTH 4000 PSI @ 28 DAYS (PENNDOT CLASS AA)  
 MATERIALS AND WORKMANSHIP IN ACCORDANCE WITH THE REQUIREMENTS  
 OF PENNDOT PUBLICATION 408 SECTION 605 & 714  
 STEEL REINFORCEMENT A615 GRADE 60 HORIZONTAL AND VERTICAL



**Continental  
 Concrete  
 Products, Inc.**  
 1 South Grosstown Rd.  
 Pottstown, PA 19464  
 Phone: (610) 327-3700  
 Fax: (610) 327-9488

CUSTOM TRENCH DRAIN

SIGNATURE OF APPROVAL	DATE	AR	DWG	STRUCTURE
	2/08/16		TD	